

Parts List for Size 5 CB Clutch-Brakes

Serial and model numbers from nameplate are required when ordering replacement parts.

See reverse side for Tor-ac model.

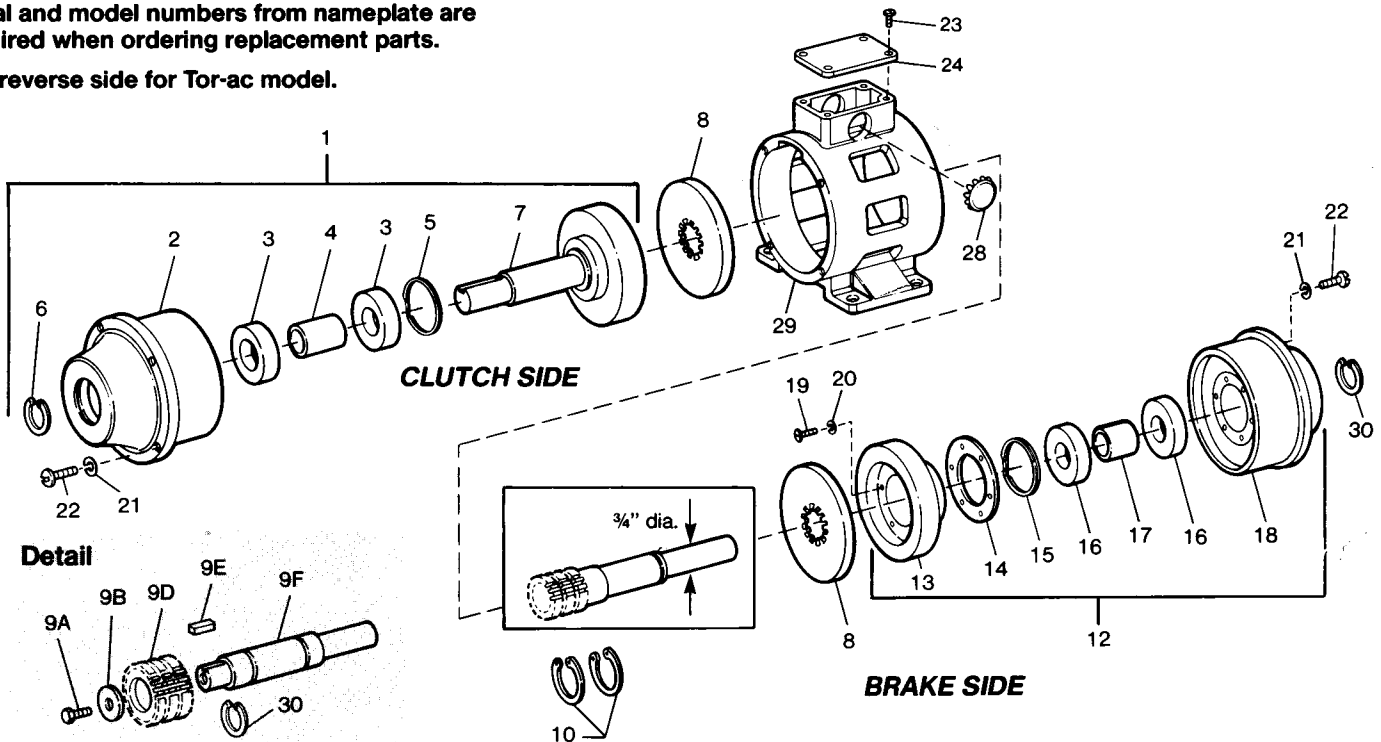


TABLE A

Item No.	Description	Part Number	Qty.
1	Clutch assembly (includes items 2 through 7) 90-100 volts, DC 24-28 volts, DC 12 volts, DC 6 volts, DC	5-40-0050-00-01J	1
		5-40-0050-00-01E	1
		5-40-0050-00-01C	1
		5-40-0050-00-01B	1
2	Magnet body and coil assembly - clutch 90-100 volts, DC 24-28 volts, DC 12 volts, DC 6 volts, DC	5-04-0050-03-01J	1
		5-04-0050-03-01E	1
		5-04-0050-03-01C	1
		5-04-0050-03-01B	1
3	Ball bearing	9-01-0023-00	2
4	Spacer, bearing	8-455-117-00	1
5	Retaining ring	9-03-0080-00	1
6	Retaining ring	9-03-0033-00	1
7	Drivehub (3/4" diameter)	5-30-0417-00	1
8	Armature	8-405-076-03	2
9A	Screw	9-16-3008-00	1
9B	Belleville	9-71-2081-01	1
9D	Hub	8-411-102-06	1
9E	Key	9-50-0813-00	1
9F	Shaft - brake (3/4" diameter)	8-464-010-03	1
10	Retaining ring	9-03-0013-00	2
12	Brake assembly (includes items 13 through 20) 90-100 volts, DC 24-28 volts, DC 12 volts, DC 6 volts, DC	5-40-5050-01-01J	1
		5-40-5050-01-01E	1
		5-40-5050-01-01C	1
		5-40-5050-01-01B	1
13	Friction face assembly	5-30-0417-01	1
14	Spacer	8-455-118-00	1
15	Retaining ring	9-03-0080-00	1

TABLE A (continued)

Item No.	Description	Part Number	Qty.
16	Ball bearing	9-01-0023-00	2
17	Spacer, bearing	8-455-117-00	1
18	Magnet body and coil assembly - brake 90-100 volts, DC 24-28 volts, DC 12 volts, DC 6 volts, DC	5-04-0050-02-01J	1
		5-04-0050-02-01E	1
		5-04-0050-02-01C	1
		5-04-0050-02-01B	1
19	Flat head screw	9-11-4608-00	6
20	Lock washer	9-45-0726-00	6
21	Lock washer	9-45-0327-00	12
22	Round head screw	9-10-2710-00	12
23	Self tapping screw	9-25-7309-00	4
24	Nameplate	—	1
28	Snap-in blank	9-61-1150-00	1
29	Housing	8-443-007-01	1
30	Retaining ring	9-03-0033-01	2
<i>not shown</i>	Installation and Service Instruction Sheet (CB)	8-078-800-05	1

TABLE B

For spring release use:		
Release spring	8-404-808-04	2 required
Screw	9-16-2705-00	6 required
Lock washer	9-45-0327-00	6 required

TABLE C

For case hardened armature use in place of item 8:		
Armature	8-405-076-12	2 required

Parts List for Size 5 CB Tor-ac® Clutch-Brakes

Serial and model numbers from nameplate are required when ordering replacement parts.

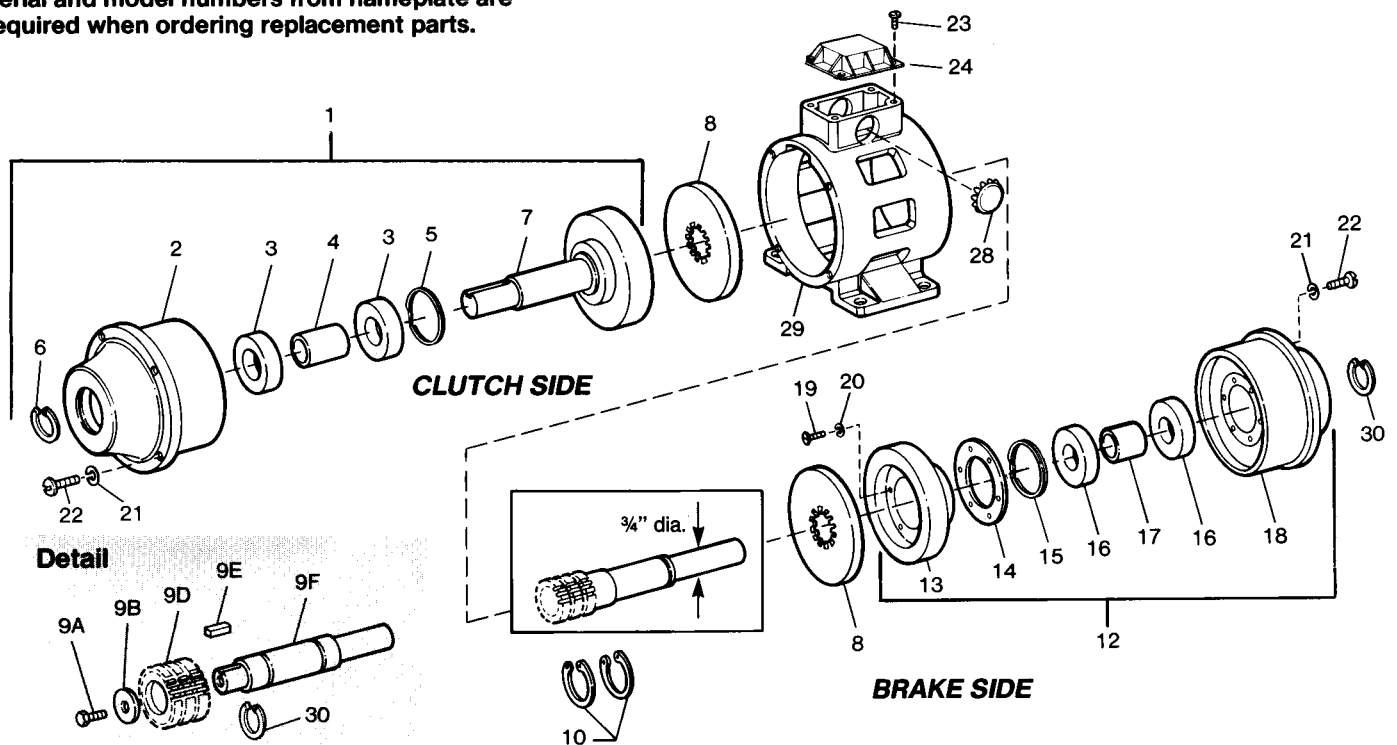


TABLE A

Item No.	Description	Part Number	Qty.
1	Clutch assembly (includes items 2 through 7) 90-100 volts, DC	5-40-0050-00-01J	1
2	Magnet body and coil assembly - clutch 90-100 volts, DC	5-04-0050-03-01J	1
3	Ball bearing	9-01-0023-00	2
4	Spacer, bearing	8-455-117-00	1
5	Retaining ring	9-03-0080-00	1
6	Retaining ring	9-03-0033-00	1
7	Drivehub (3/4" diameter)	5-30-0417-00	1
8	Armature	8-405-076-03	2
9A	Screw	9-16-3008-00	1
9B	Belleville	9-71-2081-01	1
9D	Hub	8-411-102-06	1
9E	Key	9-50-0813-00	1
9F	Shaft - brake (3/4" diameter)	8-464-010-03	1
10	Retaining ring	9-03-0013-00	2
12	Brake assembly (includes items 13 through 20) 90-100 volts, DC	5-40-5050-01-01J	1
13	Friction face assembly	5-30-0417-01	1
14	Spacer	8-455-118-00	1
15	Retaining ring	9-03-0080-00	1
16	Ball bearing	9-01-0023-00	2
17	Spacer, bearing	8-455-117-00	1
18	Magnet body and coil assembly - brake 90-100 volts, DC	5-04-0050-02-01J	1

TABLE A (continued)

Item No.	Description	Part Number	Qty.
19	Flat head screw	9-11-4608-00	6
20	Lock washer	9-45-0726-00	6
21	Lock washer	9-45-0327-00	12
22	Round head screw	9-10-2710-00	12
23	Self tapping screw	9-25-7309-00	4
24	Tor-ac power supply (115 VAC input)	4-1-20190-00	1
28	Snap-in blank	9-61-1150-00	1
29	Housing	8-443-007-01	1
30	Retaining ring	9-03-0033-01	2
<i>not shown</i>	Installation and Service Instruction Sheet (CB)	8-078-800-05	1
<i>not shown</i>	Tor-ac Instruction Tag	8-078-861-00	1

TABLE B

For spring release use:		
Release spring	8-404-808-04	2 required
Screw	9-16-2705-00	6 required
Lock washer	9-45-0327-00	6 required

TABLE C

For case hardened armature use in place of item 8:		
Armature	8-405-076-12	2 required