

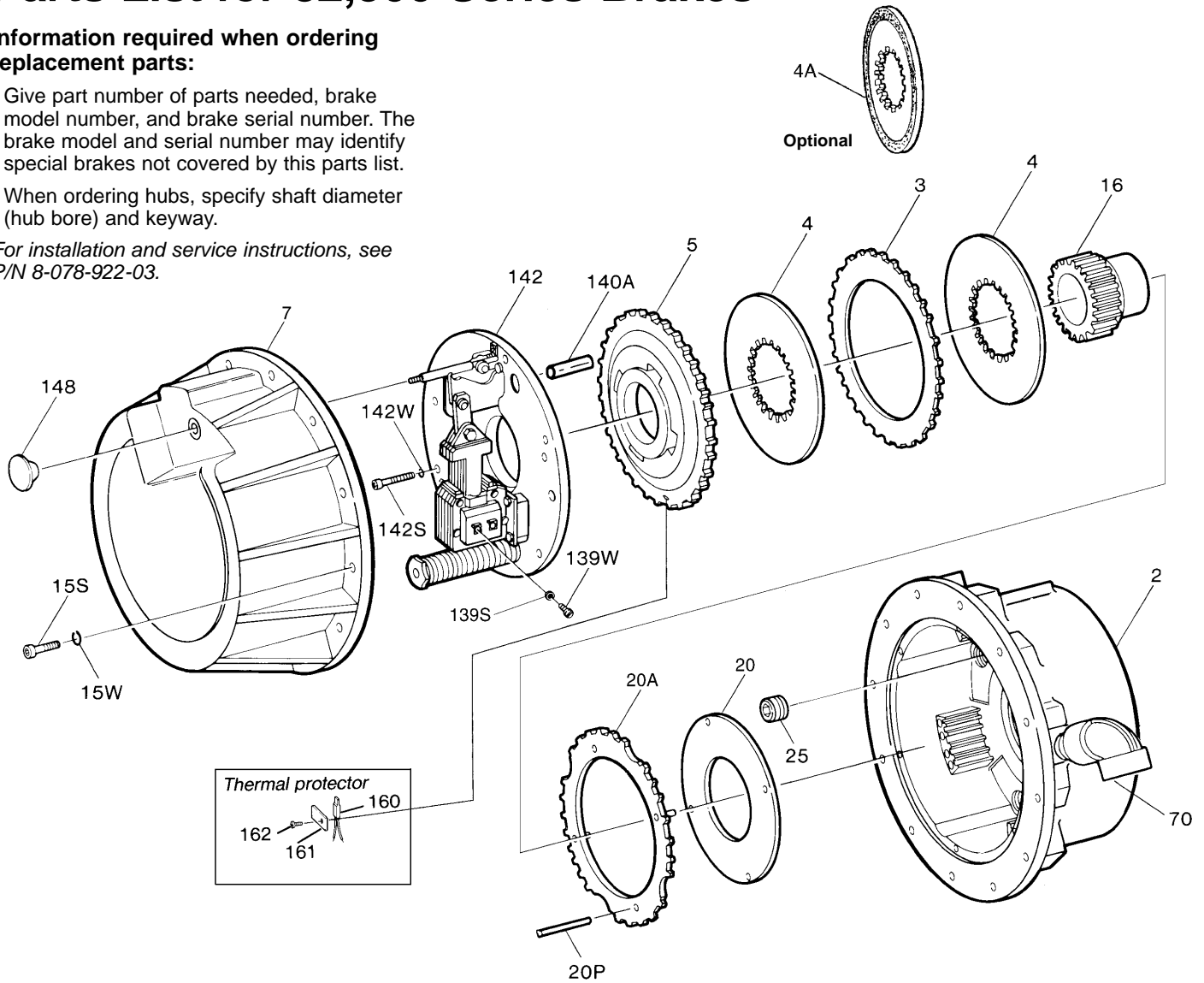
## Parts List for 82,300 Series Brakes

### Information required when ordering replacement parts:

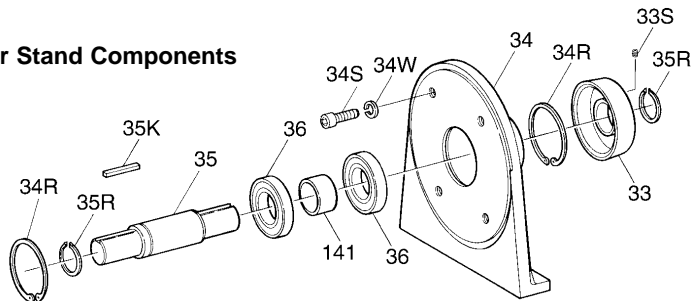
Give part number of parts needed, brake model number, and brake serial number. The brake model and serial number may identify special brakes not covered by this parts list.

When ordering hubs, specify shaft diameter (hub bore) and keyway.

For installation and service instructions, see P/N 8-078-922-03.



### Floor Stand Components



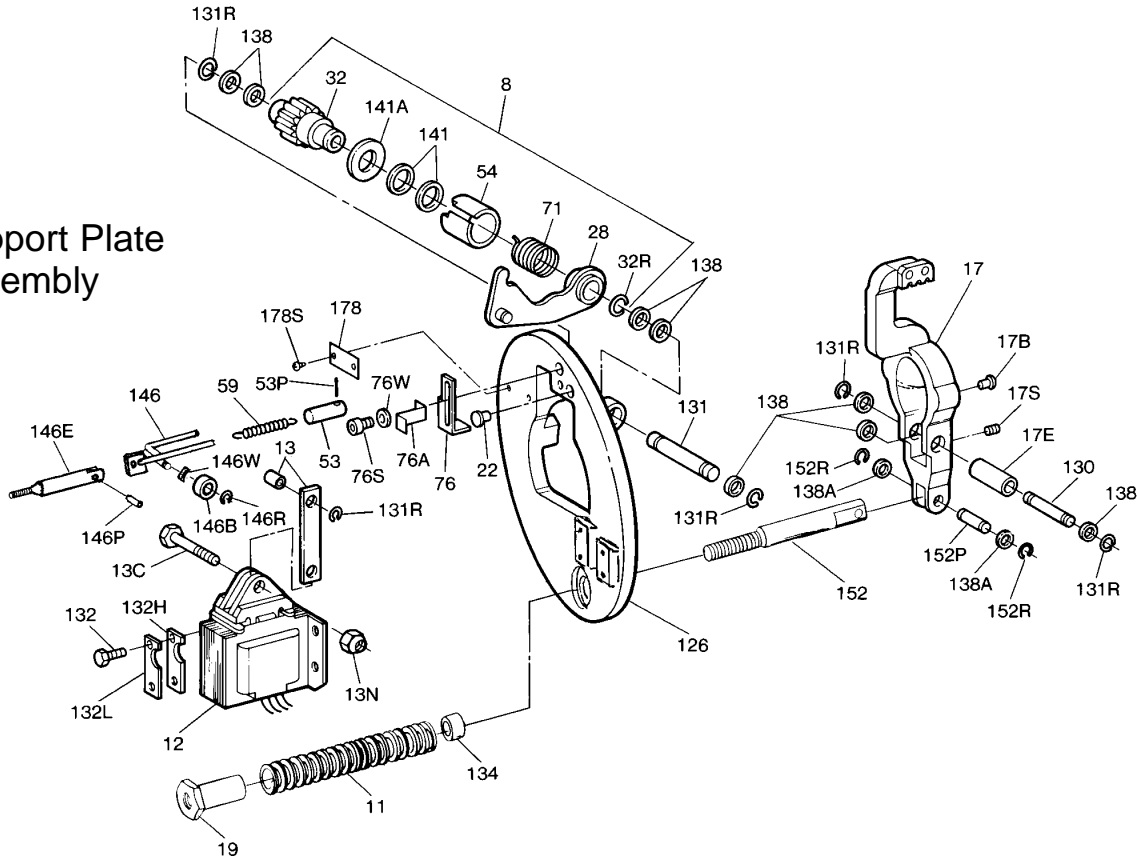


**TABLE 2**  
Components of Support Plate Assembly

			Brake Size Torque (lb-ft)	125	175	230	330
			Assembly Part Number →				
Item No.	Description	Part Number ↓	5-42-1018-00	5-42-1019-00	5-42-1020-00	5-42-1021-00	
8	Solenoid lever and pinion assembly (comprised of Items 28, 32, 32R, 54, 71, 141 and 141A)	5-66-7321-00	1	1	1	1	
11	Pressure spring (green) Pressure spring (yellow) Pressure spring (red)	9-70-4601-00 9-70-6001-00 9-70-5801-00	1	1	1		1
12	Solenoid assembly	5-12-5529-00	1	1	1	1	
13	Solenoid link and bearing assembly	5-55-2006-00	1	1	1	1	
13C	Cap screw (solenoid link)	8-157-703-00	1	1	1	1	
13N	Nut (solenoid link)	9-40-3732-00	1	1	1	1	
17	Lever arm assembly (with pressure buttons)	5-17-2001-00	1	1	1	1	
17B	Pressure button	9-25-1908-00	2	2	2	2	
17E	Eccentric sleeve (lever arm)	8-054-201-00	1	1	1	1	
17S	Set screw (lever arm)	9-20-3004-00	2	2	2	2	
19	Pressure spring nut	8-019-201-00	1	1	1	1	
22	Solenoid lever stop	8-022-603-00	1	1	1	1	
28	Solenoid lever (component of Item 8)		1	1	1	1	
32	Pinion (component of Item 8)		1	1	1	1	
32R	Retaining ring (component of Item 8)		1	1	1	1	
53	Manual release spring tube	8-053-201-00	1	1	1	1	
53P	Roll pin (spring tube)	9-32-4012-00	1	1	1	1	
54	Sleeve (component of Item 8)		1	1	1	1	
59	Release spring	9-71-0004-00	1	1	1	1	
71	Wrap spring (component of Item 8)		1	1	1	1	
76	Wrap spring stop	8-076-203-00	1	1	1	1	
76A	Holding plate (wrap spring stop)	8-076-204-00	1	1	1	1	
76S	Cap screw (spring stop)	9-17-2812-00	2	2	2	2	
76W	Lock washer (spring stop)	9-45-1328-00	2	2	2	2	
126	Support plate and bearing assembly	5-26-1002-00	1	1	1	1	
130	Pivot pin (lever arm)	8-118-204-00	1	1	1	1	
131	Pivot pin (solenoid lever)	8-131-201-00	1	1	1	1	
131R	Retaining ring (pivot pin)	9-03-0020-00	5	5	5	5	
132	Cap screw (solenoid mounting)	8-350-002-00	4	4	4	4	
132H	Holding plate (solenoid mounting)	8-076-207-00	2	2	2	2	
132L	Lock plate (solenoid mounting)	8-076-206-00	2	2	2	2	
134	Pressure spring spacer	8-134-001-02	1	1			
	Pressure spring spacer	8-134-001-03			1		
	Pressure spring spacer	8-134-001-05				1	
138	Bearing (washer type)	8-138-201-00	7	7	7	7	
138A	Bearing (washer type)	8-138-701-00	2	2	2	2	
141	Wrap spring spacer (component of Item 8)		*	*	*	*	
141A	Wrap spring sleeve spacer (component of Item 8)						
146	Release rod	8-146-104-00	1	1	1	1	
146B	Ball bearing (release rod)	9-01-6801-00	1	1	1	1	
146E	Extension (release rod)	8-146-105-00	1	1	1	1	
146P	Roll pin (release rod)	9-32-4032-00	1	1	1	1	
146R	Retaining ring (release rod)	9-03-0007-00	1	1	1	1	
146W	Spacer (release rod)	9-45-0170-00	1	1	1	1	
152	Pressure spring stud	8-152-201-00	1	1	1	1	
152P	Pivot pin (spring stud)	8-118-202-00	1	1	1	1	
152R	Retaining ring (spring stud)	9-03-0019-00	2	2	2	2	
178	Instruction plate	8-078-054-00	1	1	1	1	
178S	Drivescrew	9-25-1303-00	2	2	2	2	

\*As required

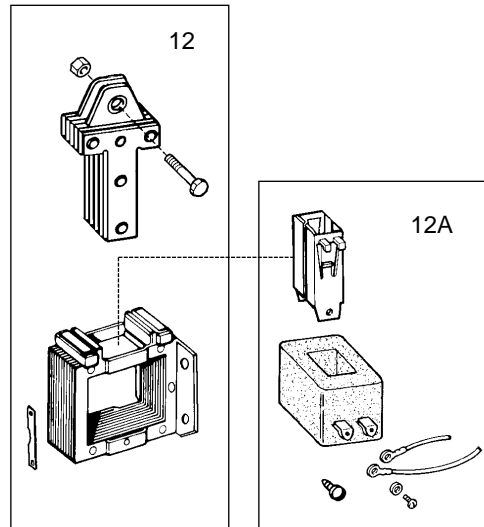
## Support Plate Assembly



## Solenoid and Coil

TABLE 3: Coil Assemblies

Item	Description		Part Number	Torque (lb-ft)		
				125	175	330
12A	No. 9 Coil Assembly 60 Hz	115/230 Vac	5-96-6907-05	1		
		230/460 Vac	5-96-6909-05	1		
		115 Vac	5-96-6901-05	1		
		230 Vac	5-96-6902-05	1		
		460 Vac	5-96-6904-05	1		
		575 Vac	5-96-6905-05	1		
	No. K9 Coil Assembly 60 Hz	115/230 Vac	5-96-6957-05			1
		230/460 Vac	5-96-6959-05			1
		115 Vac	5-96-6951-05			1
		230 Vac	5-96-6952-05			1
		460 Vac	5-96-6954-05			1
		575 Vac	5-96-6955-05			1



Above coils are UL Listed as Class A, however they contain Class H insulation.

TABLE 4: Contents of Assemblies

Item No.	Description	Item No.	Description
12	Solenoid assembly (5-12-5529-00) 1 - Plunger 1 - Frame 2 - Lock plates 1 - Solenoid link cap screw 1 - Solenoid link nut	12A	Coil assembly (5-96-69XX-00) 1 - Coil 2 - Lead wire & terminal assemblies 2 - Terminal screws 2 - Terminal lock washers 2 - Plunger guides 2 - Plunger guide screws



Rexnord Industries, Inc.  
Stearns Division  
5150 S. International Dr.,  
Cudahy, Wisconsin 53110  
(414) 272-1100 Fax: (414) 277-4364 [www.rexnord.com](http://www.rexnord.com)