

Solenoid and Coil Assembly

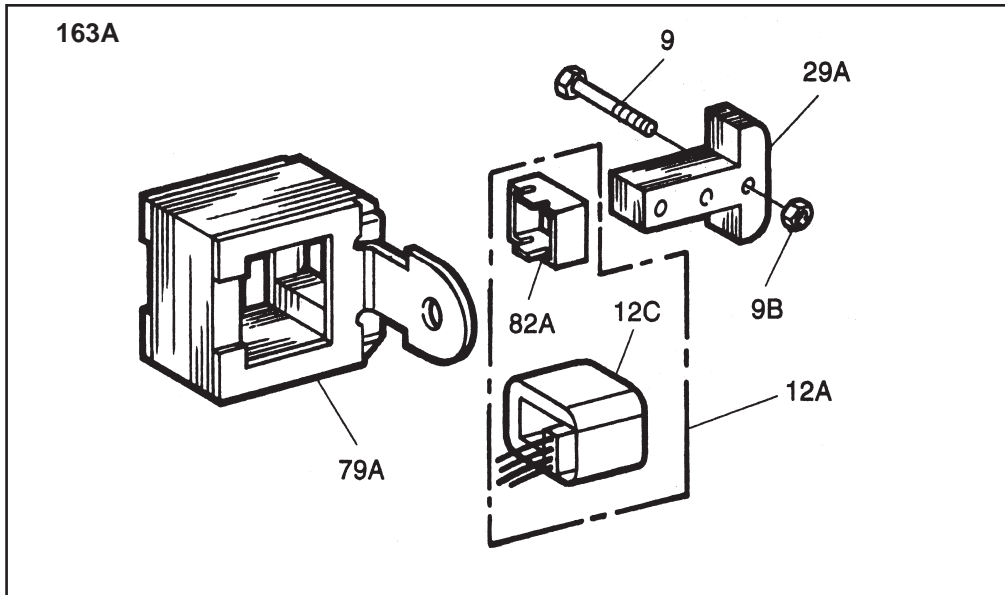


TABLE 2
Components of Solenoid Assembly

Item No.	Description	Part Number ↓	Torque (lb-ft)					
			1.5		3		6	
			Brake Model Number →					
			1-048-151-00	1-048-151-01	1-048-161-00	1-048-161-01	1-048-171-00	1-048-171-01
163A	SOLENOID ASSEMBLY (comprised of)	5-12-5524-00	1	1	1	1	1	1
9	Plunger screw		1	1	1	1	1	1
9B	Plunger nut		1	1	1	1	1	1
29A	Plunger assembly		1	1	1	1	1	1
79A	Solenoid frame and bracket		1	1	1	1	1	1

TABLE 3
AC Coil Kits

Item No.	Description	Part Number ↓	Torque (lb-ft)						
			1.5		3		6		
			Brake Model Number →						
			1-048-151-00	1-048-151-01	1-048-161-00	1-048-161-01	1-048-171-00	1-048-171-01	
12A Coil Kit	12C NO. 4 COIL KIT 60 HZ	115/230 Vac	5-66-6407-33	1	1				
		230/460 Vac	5-66-6409-33	1	1				
		115 Vac	5-66-6401-33	1	1				
		230 Vac	5-66-6402-33	1	1				
		460 Vac	5-66-6404-33	1	1				
	575 Vac	5-66-6405-33	1	1					
	12C NO. K4 COIL KIT 60 HZ	115/230 Vac	5-66-6457-33			1	1		
		230/460 Vac	5-66-6459-33			1	1		
		115 Vac	5-66-6451-33			1	1		
		230 Vac	5-66-6452-33			1	1		
		460 Vac	5-66-6454-33			1	1		
	575 Vac	5-66-6455-33			1	1			
	12C NO. M4 COIL ASSEMBLY 60HZ	115/230 Vac	5-96-6437-33					1	1
		200/400 Vac	5-96-6438-33					1	1
		230/460 Vac	5-96-6439-33					1	1
115 Vac		5-96-6431-33					1	1	
200 Vac		5-96-6484-33					1	1	
230 Vac	5-96-6432-33					1	1		
460 Vac	5-96-6434-33					1	1		
575 Vac	5-96-6435-33					1	1		
82A	Top plunger guide (part of 12A)		1	1	1	1	1	1	



Rexnord Industries, LLC
Stearns Division
5150 International Drive
Cudahy, Wisconsin 53110
(414) 272-1100 Fax: (414) 277-4364 www.stearnsbrakes.com