

Parts List for 55,000 Series Brakes

Information required when ordering replacement parts:

- When ordering brake parts, give part number of parts or kits needed, brake model number and brake serial number. The brake model and serial number may identify special brakes not covered by this parts list.
- Description items in ***CAPITALIZED BOLD ITALICS*** are recommended spare parts. One set per 5 brakes in service is recommended.
- When ordering hubs, specify shaft diameter (hub bore) and keyway. Consult factory for bores not listed.
- Enclosures are designated as follows:
O = Standard
E = Dust-tight, waterproof (DTWP)

For installation and service instructions, see P/N 8-078-925-00.
Detailed service instruction sheet is included with each kit.

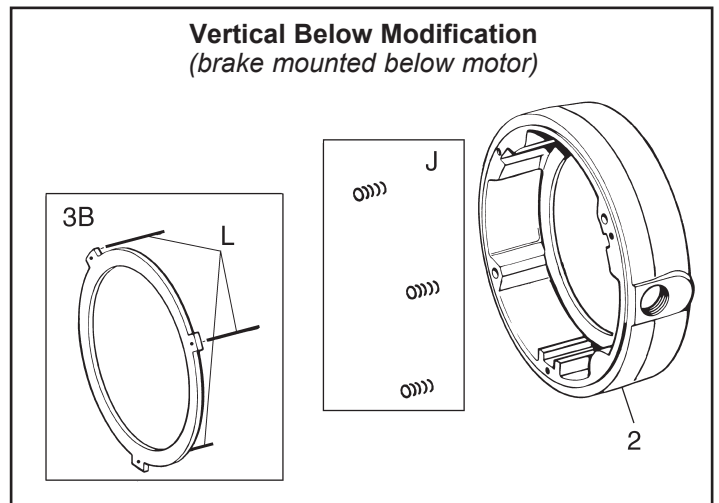
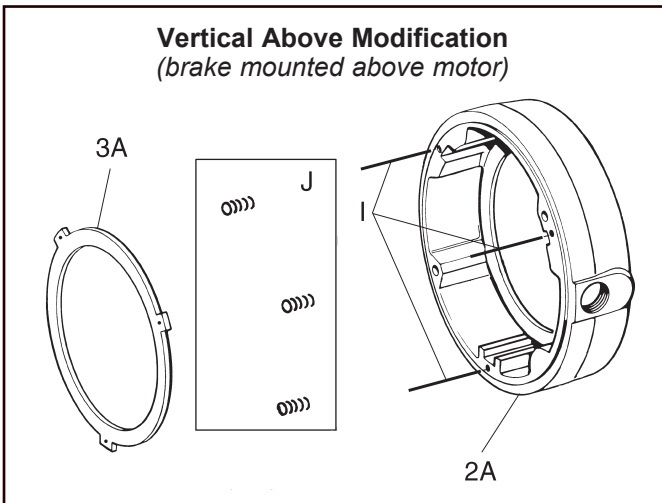
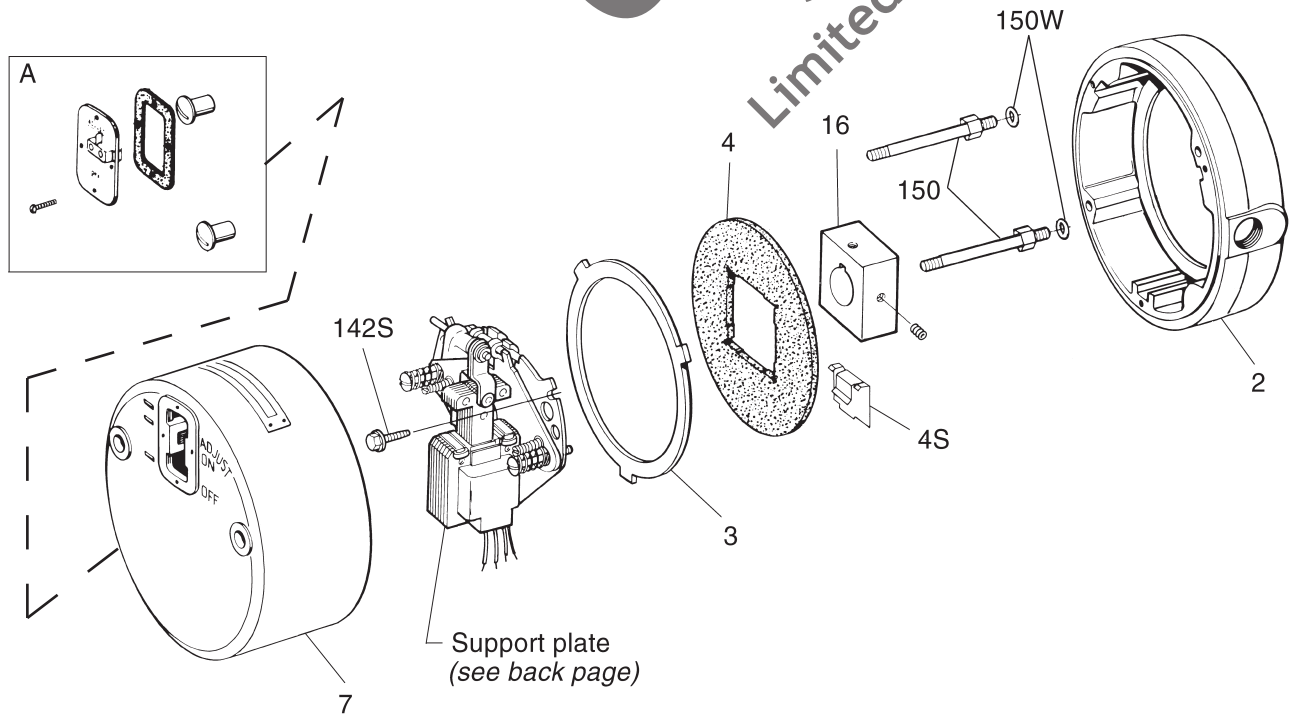


TABLE 1
Components of Standard AC or DC Brakes and Vertical Modifications

		Torque (lb-ft)	1.5 & 3			6			10			15			25								
		Current	AC		DC		AC		DC		AC		DC		AC								
		Enclosure	E	O	E	O	E	O	E	O	E	O	E	O	E	O							
		Brake Model Number→																					
Item	Description	Part Number↓	1-055-011-01 & 021-07	1-055-012-01 & 022-01	1-055-015-02 & 025-02	1-055-016-02 & 026-02	1-055-031-01	1-055-032-01	1-055-035-02	1-055-036-02	1-055-043-01	1-055-044-01	1-055-047-02	1-055-048-02	1-055-051-01	1-055-052-01	1-055-055-02	1-055-056-02	1-055-053-01	1-055-054-01	1-055-057-02	1-055-058-02	
A	HARDWARE KIT - OPEN BRAKE HARDWARE KIT - DTWP BRAKE	5-66-1004-00 5-66-1012-00	1	1	1	1	1	1	1	1	1	1	1	1	1	1	1	1	1	1	1	1	1
7	Housing (aluminum) Housing (aluminum)	8-007-533-00 8-007-533-10	1	1	1	1	1	1	1	1	1	1	1	1	1	1	1	1	1	1	1	1	1
3	STATIONARY DISC KIT	5-66-8351-00	1	1	1	1	2	2	2	2	3	3	3	3	4	4	4	4	4	4	4	4	4
4 4S	FRICTION DISC KIT Stabilizing spring	5-66-8452-00 8-161-501-00	1 2	1 2	1 2	1 2	2	2	2	2	3	3	3	3	4	4	4	4	4	4	4	4	4
16	Hub and set screw assembly - 5/8" bore* Hub and set screw assembly - 7/8" bore* Hub and set screw assembly - 5/8" bore* Hub and set screw assembly - 7/8" bore* Hub and set screw assembly - 5/8" bore* Hub and set screw assembly - 7/8" bore* Hub and set screw assembly - 5/8" bore* Hub and set screw assembly - 7/8" bore*		Obsolete																				
	Hub and set screw assembly } specify bore size Hub and set screw assembly } Hub and set screw assembly } Hub and set screw assembly }		Obsolete																				
2	Endplate Endplate Endplate Endplate and oil seal assembly Endplate and oil seal assembly Endplate and oil seal assembly		Obsolete																				
150 150W	Housing stud Lock washer		Obsolete																				
Vertical Above Modification																							
2A	Endplate and pin assembly Endplate and pin assembly Endplate and pin assembly Endplate, oil seal and pin assembly Endplate, oil seal and pin assembly Endplate, oil seal and pin assembly		Obsolete																				
3A	STATIONARY DISC KIT - VERTICAL MTG.	5-66-8352-00	--	--	--	--	2	2	2	2	3	3	3	3	4	4	4	4	4	4	4	4	4
I	Vertical mounting pin Vertical mounting pin Vertical mounting pin	8-061-501-00 8-061-502-00 8-061-505-00	--	--	--	--	3	3	3	3	3	3	3	3	3	3	3	3	3	3	3	3	3
J	Vertical mounting spring kit - blue Vertical mounting spring kit - white Vertical mounting spring kit - red	5-66-3151-00 5-66-3152-00 5-66-3153-00	--	--	--	--	1	1	1	1	1	1	1	1	1	1	1	1	1	1	1	1	1
Vertical Below Modification																							
3B	PRESSURE PLATE KIT - VERT. MTG. W/O PINS	5-66-8553-00	--	--	--	--	1	1	1	1	1	1	1	1	1	1	1	1	1	1	1	1	1
L	Vertical mounting pin Vertical mounting pin Vertical mounting pin	9-32-4070-00 9-32-4062-00 9-32-4071-00	--	--	--	--	3	3	3	3	3	3	3	3	3	3	3	3	3	3	3	3	3
3A	STATIONARY DISC KIT - VERTICAL MTG.	5-66-8352-00	--	--	--	--	1	1	1	1	2	2	2	2	3	3	3	3	3	3	3	3	3
J	Vertical mounting spring kit - blue Vertical mounting spring kit - white Vertical mounting spring kit - red	5-66-3151-00 5-66-3152-00 5-66-3153-00	--	--	--	--	1	1	1	1	1	1	1	1	1	1	1	1	1	1	1	1	1

See 56,100 series brake for complete replacement.

Table 2 - Components of Support Plate and Coil Assembly

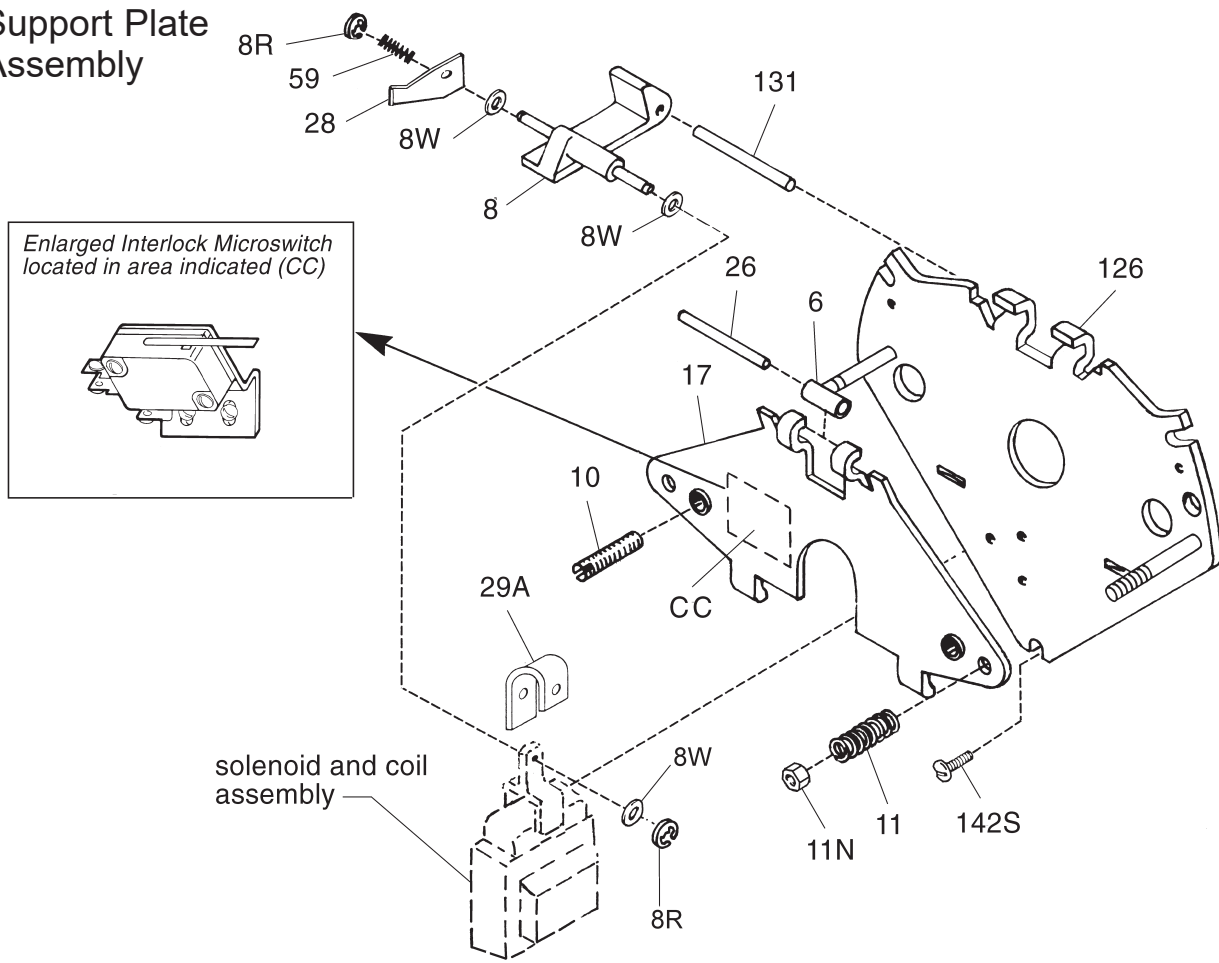
Item	Description		Part Number	1.5-15 (lb-ft)		25 (lb-ft)	
				O	E	O	E
* * * *	Support plate assembly Support plate assembly Support plate assembly Support plate assembly		<i>Parts obsolete - for reference only -</i>	1	1	1	1
6 8 8R 8W	Bearing Solenoid lever Retaining ring Spacer		<i>Parts obsolete - for reference only -</i>	1 1 2 3	1 1 2 3	1 1 2 3	1 1 2 3
11N 10 11	Torque adjustment nut Wear adjustment screw Pressure spring Pressure spring		<i>Parts obsolete - for reference only -</i>	2 2 2	2 2 2	2 2 2	2 2 2
17 26 28 59	Lever arm and stopnut assy. Bearing pin Wear indicator Release spring		<i>Parts obsolete - for reference only -</i>	1 1 1 1	1 1 1 1	1 1 1 1	1 1 1 1
126	Support plate and spring stud assembly support plate and spring stud assembly		<i>Parts obsolete - for reference only -</i>	1		1	
131 142S 29A	Pivot pin Mounting screws Plunger stop		<i>Parts obsolete - for reference only -</i>	1 3 1	1 3 1	1 3 1	1 3 1
AC Brakes							
Z	NO. 4 SOLENOID KIT		5-66-5041-00	1	1	1	1
12A	No. 4 Coil Kit	115/230 Vac	5-66-6407-33	1			
		230/460 Vac	5-66-6409-33	1			
115 Vac		5-66-6401-33	1				
230 Vac		5-66-6402-33	1				
460 Vac		5-66-6404-33	1				
		575 Vac	5-66-6405-33	1			
	No. K4 Coil Kit	115/230 Vac	5-66-6457-33			1	
		230/460 Vac	5-66-6459-33			1	
		115 Vac	5-66-6451-33			1	
		230 Vac	5-66-6452-33			1	
		460 Vac	5-66-6454-33			1	
		575 Vac	5-66-6455-33			1	
CC	Interlock microswitch		5-57-5526-00	1		1	
DC Brakes							
12B	No. 4+ Coil Assembly	115 Vdc	5-96-6416-43	1			
		230 Vdc	5-96-6417-43	1			
	No. K4+ Coil Assembly	115 Vdc	5-96-6416-23			1	
		230 Vdc	5-96-6417-23			1	
157	DC Switch Kit		115 Vdc 230 Vdc	<i>Parts obsolete - for reference only -</i>	1 1	1 1	

Table 4 - Contents of Kits and Assemblies (contents may vary)

Letter Designation	Kit Description
A	Hardware kit-standard brake (5-66-1004-00) 2 - Housing nuts 1 - Release cover with clip 1 - Release cover gasket
	Hardware kit-DTWP brake (5-66-1012-00) 1 - Endplate oil seal 1 - Drain plug 3 - Housing nuts 3 - Housing nut gaskets 1 - Release cover 4 - Release cover screws 1 - Release cover gasket 1 - Housing-to-endplate gasket
3	Stationary disc kit (5-66-8351-00) 1 - Stationary disc
4	Friction disc kit (5-66-8452-00) 1 - Friction disc
3A	Stationary disc kit - vertical mounting (5-66-8352-00) 1 - Stationary disc for vertical above or below mounting
J	Vertical mounting spring kit - blue (5-66-3151-00) 3 - Vertical mounting springs - blue
	Vertical mounting spring kit - white (5-66-3152-00) 3 - Vertical mounting springs - white
	Vertical mounting spring kit - red (5-66-3153-00) 3 - Vertical mounting springs - red
K	Pressure plate kit - vertical mounting (5-66-8553-00) 1 - Pressure plate - vertical below
Z	No. 4 solenoid kit (5-66-5041-00) 1 - Plunger 1 - Solenoid link 1 - Frame (incl. mounting bracket) 1 - Solenoid link cap screw 1 - Solenoid link nut 3 - Solenoid mounting screws
12A 12B	No. 4 and K4 coil kit (5-66-64XX-33) and assembly (5-96-64XX-X3) - all voltages 1 - Coil 2 - Top plunger guide Wire nuts } where Crimp Terminals } required
157	<i>Parts obsolete - for reference only -</i>
CC	Interlock microswitch (5-57-5526-00) 1 - Microswitch 1 - Mounting bracket 4 - Screws 2 - Lock washers 2 - Star washers 2 - Nuts

See 56,100 series brake for complete replacement.

Support Plate Assembly



Solenoid and Coil Assembly

