

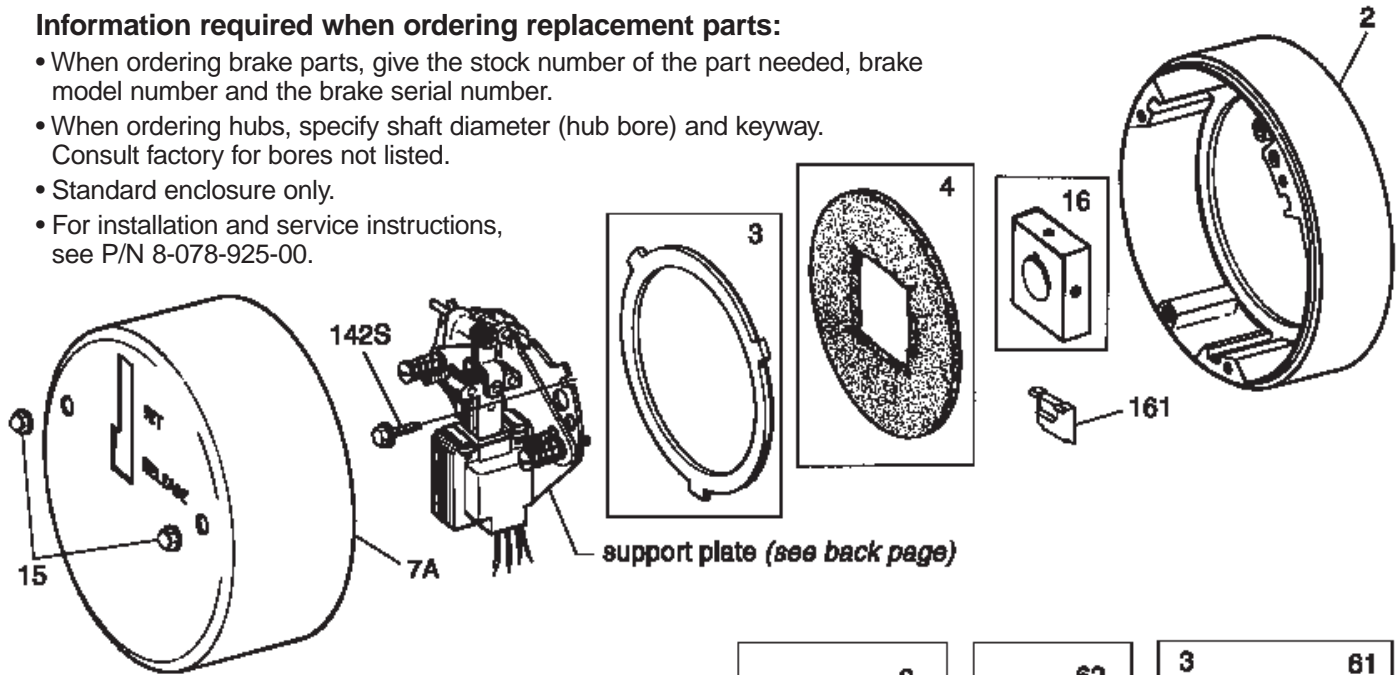
Parts List for 55,300 Series Brakes

(Models 1-055-311 & 1-055-321)

(Models 1-055-361 & 1-055-371 replaced by 1-055-511 & 1-055-521)

Information required when ordering replacement parts:

- When ordering brake parts, give the stock number of the part needed, brake model number and the brake serial number.
- When ordering hubs, specify shaft diameter (hub bore) and keyway. Consult factory for bores not listed.
- Standard enclosure only.
- For installation and service instructions, see P/N 8-078-925-00.



Vertical Below
(brake mounted below motor)

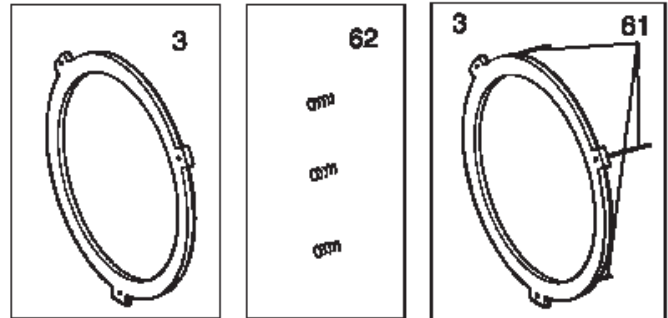
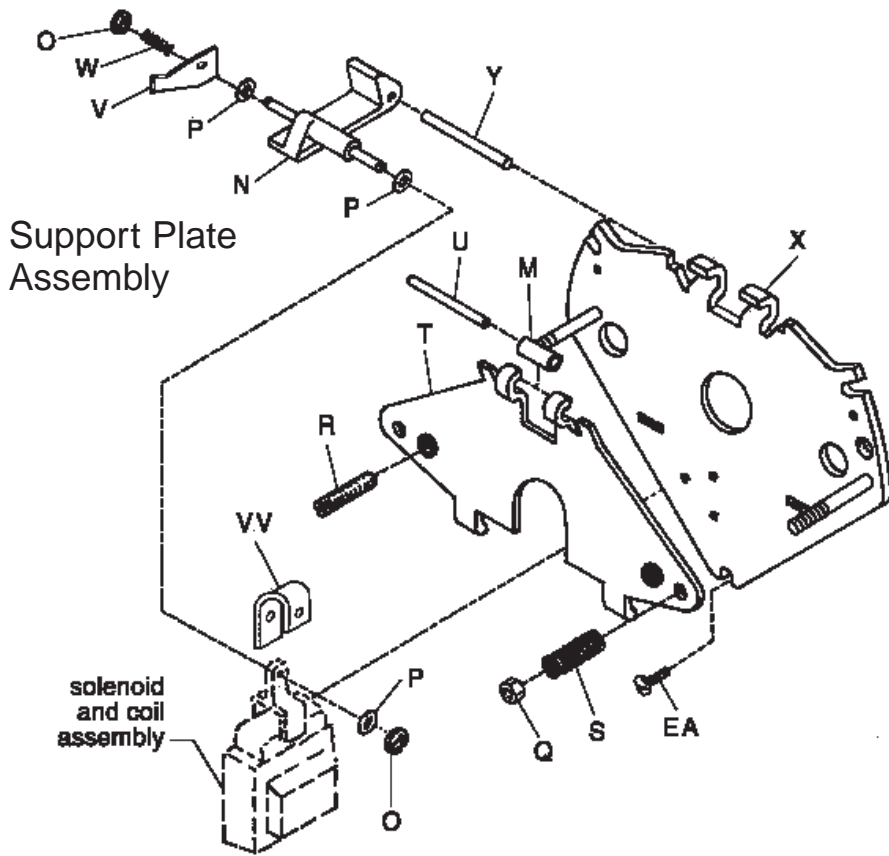


TABLE 1: Components for 55,300 AC Units

Modification	Item No.	Description	Part Number ↓	Torque (lb-ft) →	
				3	6
			Brake Model →	1-055-311-00	1-055-321-00
	2	Endplate assembly	5-02-5003-00	1	1
	3	Stationary disc kit	5-66-8351-00	1	2
	4	Friction disc kit	5-66-8452-00	1	2
	7A	Housing	8-007-543-00	1	1
	7B	Housing gasket	8-069-814-00	1	1
	15	Housing nut	9-40-3128-00	2	2
	16	Hub and set screw assembly	5-16-5101-00	1	
		Hub and set screw assembly	5-16-5103-00		1
	142	Support plate assembly (see Table 2 for components)			
	142S	Thread rolling screw	9-25-7331-00	3	3
	161	Stabilizing spring (friction disc)	8-161-501-00	2	
Vertical Mounting Above Motor*	2	Endplate assembly (includes pins)	5-02-5010-00	no modification required	1
	3	Stationary disc kit, vertical below/above	5-66-8352-00		2
	62	Vertical mounting spring kit (blue - top)	5-66-3151-00		1
		Vertical mounting spring kit (white - bottom)	5-66-3152-00		1
Floor Mtg.	34	Floor mounting bracket kit	5-55-5021-00	1	1
Vertical Mounting Below Motor*	2	Endplate assembly	5-02-5011-00	no modification required	1
	3	Stationary disc kit (vertical below and above)	5-66-8352-00		1
	3P	Stationary disc (pressure plate) (less pins-Item 61)			
	61	Vertical mounting pin	9-32-4070-00		3
	62	Vertical mounting spring kit (blue)	5-66-3151-00		1

*See Installation and Service Instructions, P/N 8-078-935-07 for spring arrangement.



Solenoid and Coil Assembly

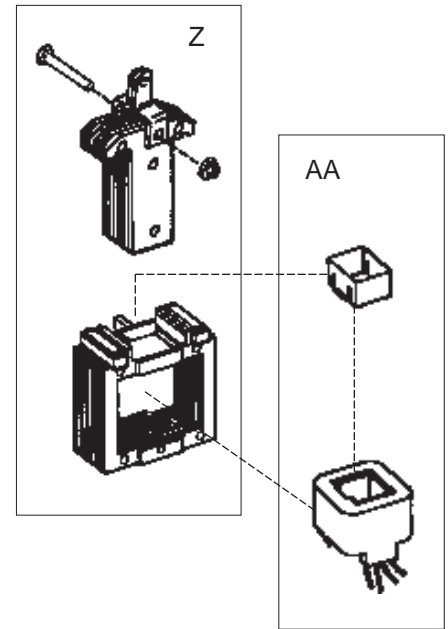


TABLE 2: Components of Support Plate and Coil Assembly

Item	Description	Part Number	Number Required	
<i>not shown</i>	Support plate assembly (Items M through Y and EA)	5-42-5552-00	1	
M	Bearing	8-006-501-00	1	
N	Solenoid lever	8-008-504-01	1	
O	Retaining ring	9-03-0057-00	2	
P	Spacer	9-45-0168-00	3	
Q	Torque adjustment nut	9-40-3928-00	2	
R	Wear adjustment screw	8-100-501-00	2	
S	Pressure spring	9-70-1302-00	2	
T	Lever arm and stopnut assy.	5-17-5002-00	1	
U	Bearing pin	9-29-4826-00	1	
V	Wear indicator	8-028-501-00	1	
W	Release spring	9-70-0809-00	1	
X	Support plate and spring stud assembly	5-26-5012-00	1	
Y	Pivot pin	9-29-4836-00	1	
EA	Mounting screws	9-25-7331-00	3	
VV	Plunger stop	8-094-504-00	1	
AC Brakes				
Z	No. 4 AC solenoid kit	5-66-5041-00	1	
AA	No. 4 Coil Kit	115/230 Vac	5-66-6407-33	1
		230/460 Vac	5-66-6409-33	1
		115 Vac	5-66-6401-33	1
		230 Vac	5-66-6402-33	1
		460 Vac	5-66-6404-33	1
		575 Vac	5-66-6405-33	1

TABLE 3: Contents of Kits

Kit Designation	Kit Description
Z	No. 4 AC solenoid kit (5-66-5041-00) 1 - Plunger 1 - Solenoid link 1 - Frame 1 - Solenoid link cap screw 1 - Solenoid link nut 3 - Solenoid mounting screws
AA	No. 4 coil kit (5-66-64XX-33) all voltages 1 - Coil 2 - Top plunger guide Wire nuts Crimp terminals } where required