

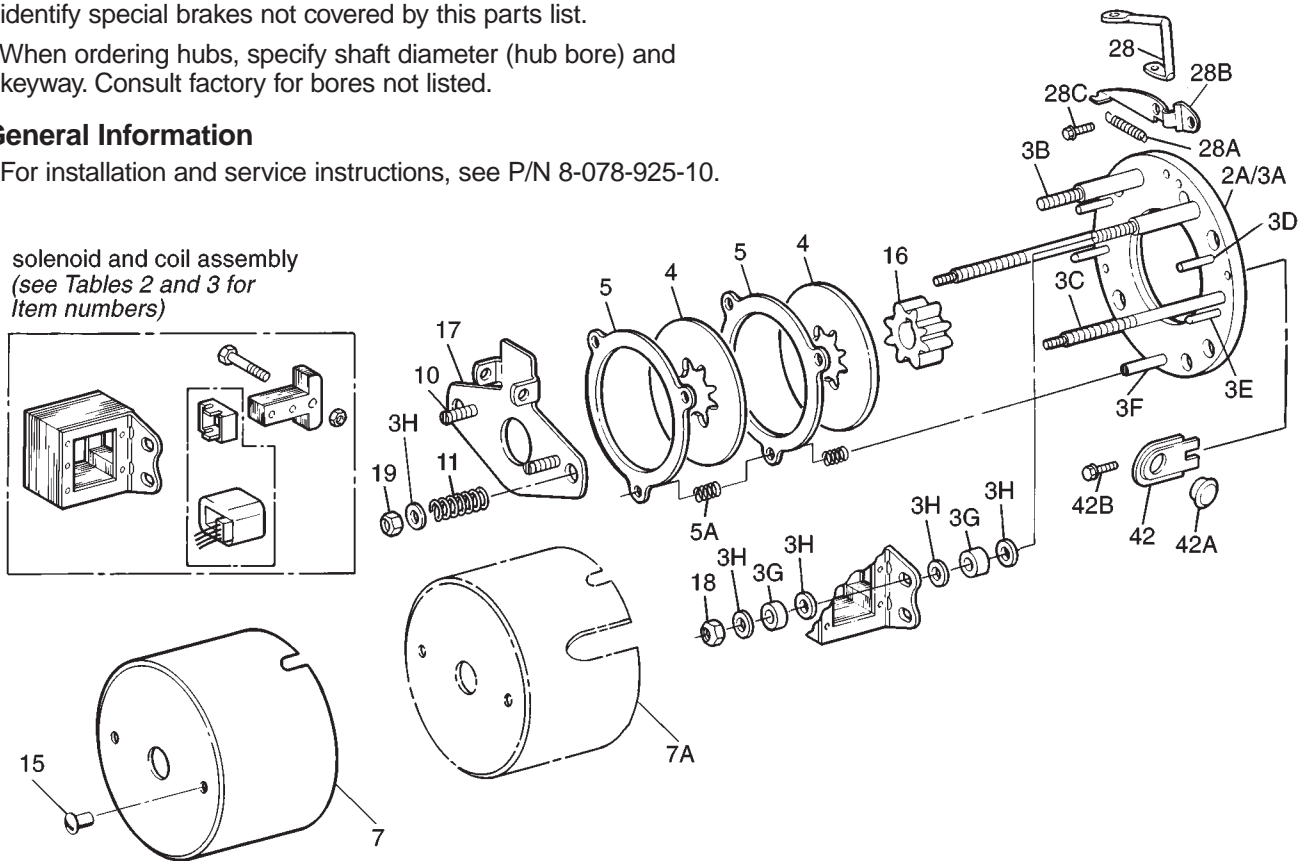
## Parts List for 58,500 Series Brakes (Models 1-058-541 and 1-058-561)

### Information required when ordering replacement parts:

- Give part number of parts or kits needed, brake model number, and brake serial number. The brake model and serial number may identify special brakes not covered by this parts list.
- When ordering hubs, specify shaft diameter (hub bore) and keyway. Consult factory for bores not listed.

### General Information

- For installation and service instructions, see P/N 8-078-925-10.



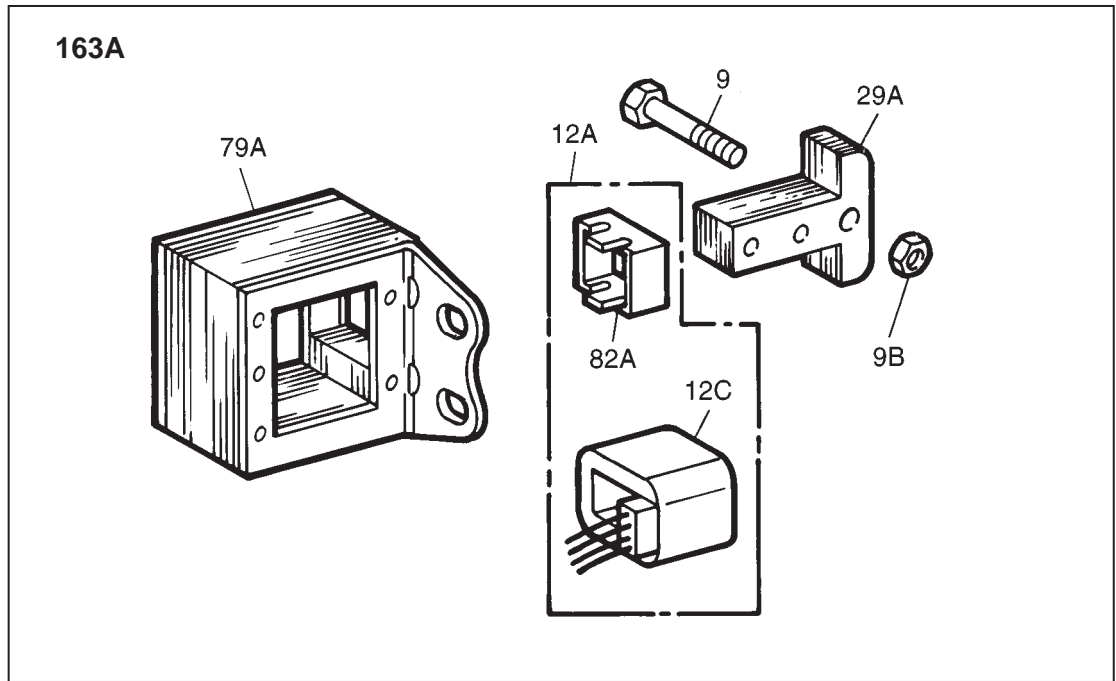
**TABLE 1**  
Components of 58,500  
Series Brake

Item No.	Description	Part Number ↓	Torque (lb-ft)			
			15		25	
		Brake Model Number →	1-058-541-00	1-058-541-01	1-058-561-00	1-058-561-01
2A	Endplate, stud and pin assembly (comprised of 3A-3F)	5-02-5026-00	1	1	1	1
3A	Endplate	8-002-571-00	1	1	1	1
3B	Solenoid stud	8-128-511-00	2	2	2	2
3C	Spring stud	8-150-720-00	2	2	2	2
3D	Pin, stationary disc	9-32-3124-00	2	2	2	2
3E	Pin, pivot	9-32-3123-00	2	2	2	2
3F	Stud, stationary disc	8-128-512-00	1	1	1	1
3G	Shock pad	8-060-315-00	4	4	4	4
3H	Flat washer 5/16"	9-45-0131-00	8	8	8	8
4	Friction disc	8-004-506-00	2	2	2	2
5	Stationary disc	8-003-506-01	2	2	2	2
5A	Centralizing spring	9-70-1023-00	6	6	6	6
7	Housing	8-007-550-10	1	1	1	1
7A	Housing	8-007-550-01	1	1	1	1
10	Wear adjust screw	8-100-504-00	2	2	2	2
11	Pressure spring	9-70-1614-00	2	2	2	2
	Pressure spring	9-70-1615-00	2	2	2	2
15	Housing nut	8-015-504-00	2	2	2	2

**TABLE 1 (continued)**

Item No.	Description	Part Number ↓	Torque (lb-ft)			
			15		25	
		Brake Model Number →	1-058-541-00	1-058-541-01	1-058-561-00	1-058-561-01
16	Hub and set screw assembly (5/8" bore)	5-16-5135-00-01B	1	1	1	1
	Hub and set screw assembly (7/8" bore)	5-16-5135-00-01D	1	1	1	1
	Hub and set screw assembly (1-1/8" bore)	5-16-5135-00-01E	1	1	1	1
17	Lever assembly	5-17-5009-00	1	1		
	Lever assembly	5-17-5010-00			1	1
18	Nut, solenoid stud	9-40-2211-00	2	2	2	2
19	Torque adjustment nut	9-40-3631-00	2	2	2	2
28	Manual release lever	8-148-559-00	1	1	1	1
28A	Extension spring	9-71-0005-00	1	1	1	1
28B	Manual release bracket	8-170-507-00	1	1	1	1
28C	Bracket screw #10-24 x 3/4	9-25-7333-00	2	2	2	2
28D	Spacer, manual release	8-170-508-00	1	1	1	1
42	Conduit bracket	8-142-501-00	1		1	
42A	Snap-in blank	9-61-1162-00	1		1	
42B	Conduit bracket screw #10-24 x 3/8"	9-25-7330-00	1		1	

# Solenoid and Coil Assembly



**TABLE 2**  
Components of Solenoid Assembly

Item No.	Description	Part Number	Torque (lb-ft)	
			15	25
163A	#4 solenoid assembly	5-12-5590-00	1	
	N4 solenoid assembly (comprised of)	5-12-5591-00		1
9	Plunger screw		1	1
9B	Plunger nut		1	1
29A	Plunger assembly		1	1
79A	Solenoid frame and bracket		1	1

**TABLE 3 - AC Coil Kits**

Item No.	Description	Part Number	Torque (lb-ft)		
			15	25	
12A coil kit	12C no. P4 coil assy. 60 Hz	115/230 Vac	5-96-6437-23	1	
		230/460 Vac	5-96-6439-23	1	
		115 Vac	5-96-6431-23	1	
		230 Vac	5-96-6432-23	1	
		460 Vac	5-96-6434-23	1	
		575 Vac	5-96-6435-23	1	
	12C no. N4 coil assy. 60 Hz	115/230 Vac	5-96-6437-03		1
		230/460 Vac	5-96-6439-03		1
		115 Vac	5-96-6431-03		1
		230 Vac	5-96-6432-03		1
		460 Vac	5-96-6434-03		1
		575 Vac	5-96-6435-03		1
82A	Top plunger guide (part of 12A)	8-082-544-00	1		
		8-082-547-00		1	

