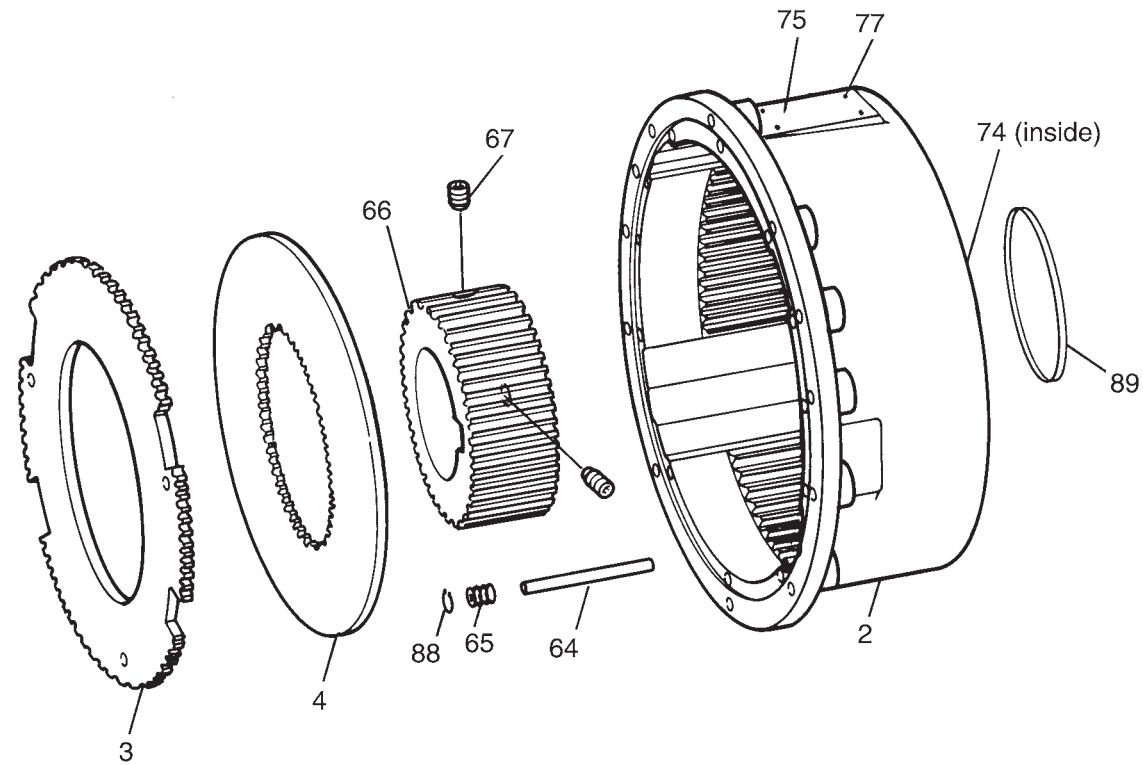
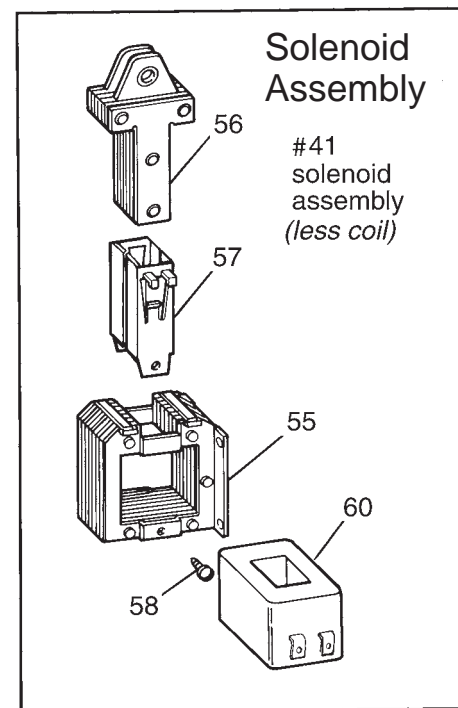
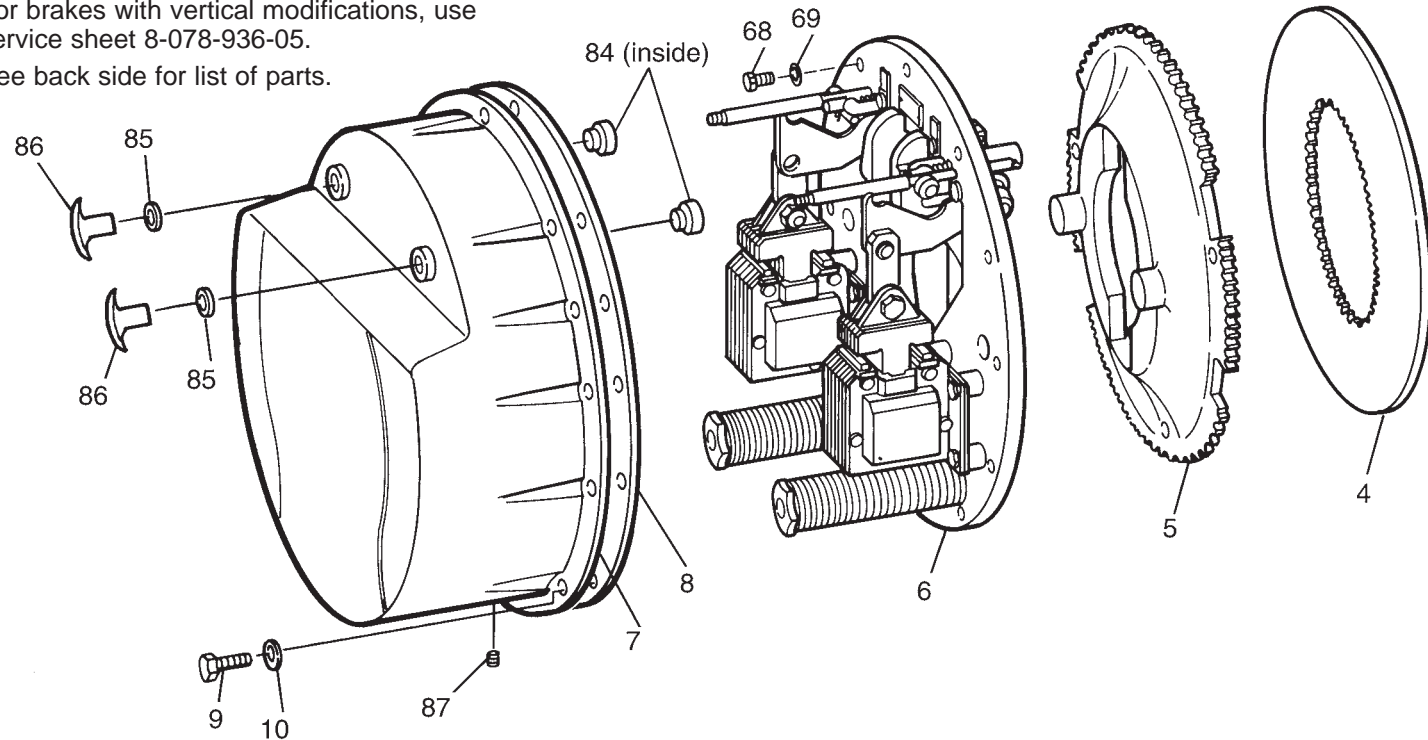


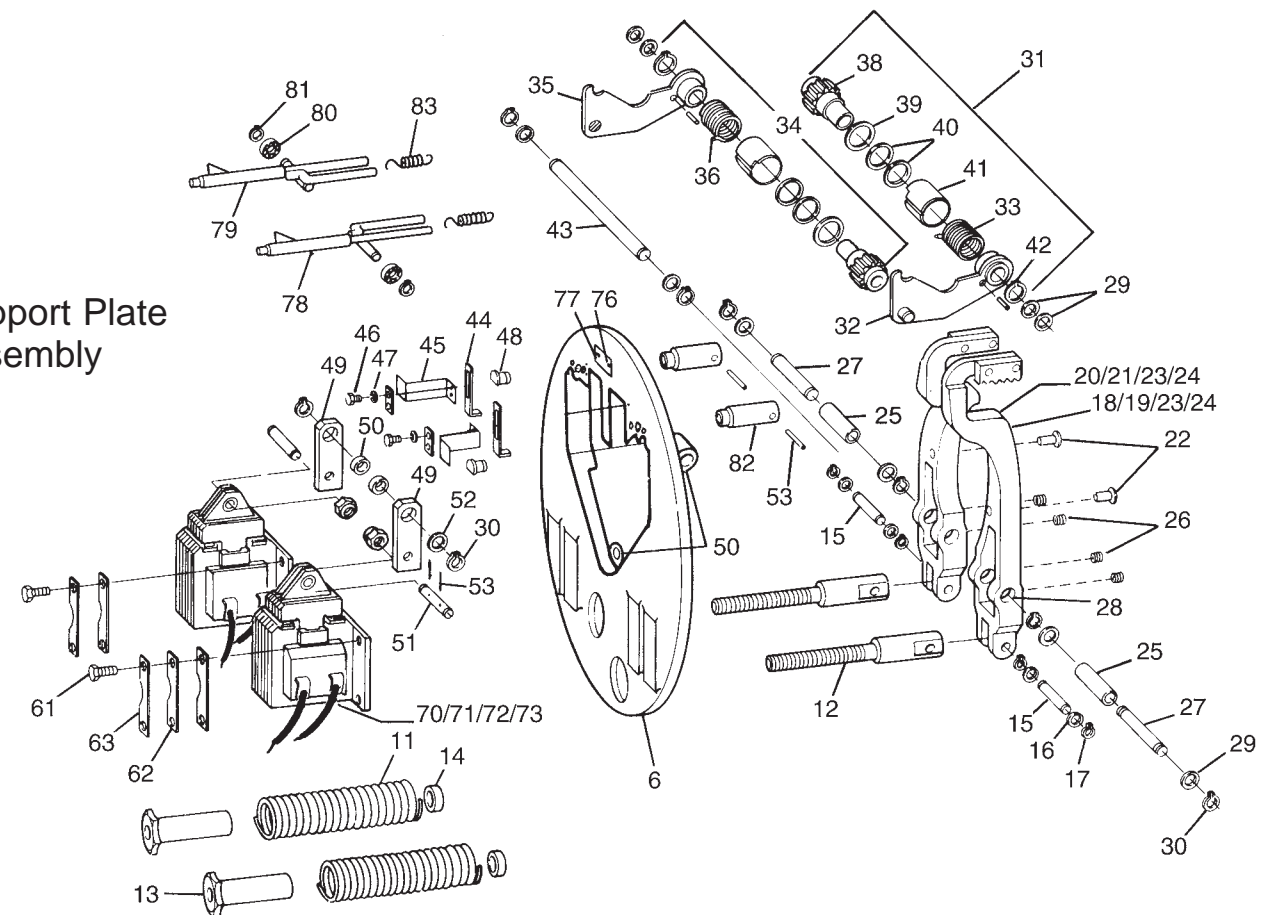
**Navy Brake - 86,600 Series**  
**Exploded View Part Breakdown**  
Supplement to Master Plan N1-086-602-A

**General Information**

- For part numbers and complete data, see N1-086-602-A.
- For additional information and service instructions, see Sheet 8-078-926-04
- For general Navy Brake information, see Sheet 271.
- For brakes with vertical modifications, use service sheet 8-078-936-05.
- See back side for list of parts.



**Support Plate Assembly**



**Table 1**

Item No.	Description	Manufacturer's Part Number↓	Torque (lb-ft)	370	500	750	1000
			Brake Model Number→	1-086-612-00	1-086-622-00	1-086-632-00	1-086-642-00
2	Endplate (16" AK)	8-002-663-03	1	1	1	1	1
3	Stationary disc	8-003-663-01	1	1	2	3	3
4	Friction disc	8-004-664-00	2	2	3	4	4
5	Pressure plate	8-005-666-01	1	1			
	Pressure plate	8-005-666-02			1		
	Pressure plate	8-005-666-03					1
6	Support plate	8-126-662-06	1	1	1	1	1
7	Housing	8-007-667-01	1	1	1	1	1
8	Gasket	8-069-662-00	1	1	1	1	1
9	Cap screw, hex head (5/16 - 18 x 1)	9-16-5116-00	12	12	12	12	12
10	Lock washer, spring (5/16)	9-45-0351-00	12	12	12	12	12
11	Pressure spring (yellow)	9-70-6001-00	2				
	Pressure spring (red)	9-70-5801-00		2	2	2	2
12	Pressure spring stud	8-152-201-00	2	2	2	2	2
13	Pressure spring nut	8-019-201-00	2	2	2	2	2
14	Spacer (pressure spring)	8-134-001-03	2				
	Spacer (pressure spring)	8-134-001-05		2	2	2	2
15	Pivot pin (spring stud)	8-118-202-00	2	2	2	2	2
16	Washer, flat	8-138-701-00	4	4	4	4	4
17	Retaining ring	9-03-0019-00	4	4	4	4	4
18	Lever arm assembly (right hand)	5-17-6606-00	1	1	1	1	1
19	Lever arm (right hand)	8-017-662-03	1	1	1	1	1
20	Lever arm assembly (left hand)	5-17-6607-00	1	1	1	1	1
21	Lever arm (left hand)	8-017-663-03	1	1	1	1	1
22	Drive screw (part of 18 and 20)	9-25-1908-00	1	1	1	1	1
23	Sector gear (part of 18 and 20)	8-031-202-00	1	1	1	1	1
24	Straight pin (part of 18 and 20)	9-29-5018-00	2	2	2	2	2
25	Eccentric sleeve	8-054-201-00	2	2	2	2	2
26	Set screw, socket head (1/4 - 20 x 1/2)	9-22-1004-00	4	4	4	4	4
27	Pivot pin (lever arm)	8-118-204-00	2	2	2	2	2
28	Sleeve bearing	9-04-0150-00	8	8	8	8	8
29	Washer, flat	8-138-201-00	14	14	14	14	14
30	Retaining ring	9-03-0020-00	8	8	8	8	8
31	Solenoid lever and pinion assembly (right hand)	5-32-2002-00	1	1	1	1	1
32	Solenoid lever (right hand) (part of 31)	5-28-2004-00	1	1	1	1	1
33	Wrap spring (right hand) (part of 31)	9-71-1003-00	1	1	1	1	1
34	Solenoid lever and pinion assembly (left hand)	5-32-6602-00	1	1	1	1	1
35	Solenoid lever (left hand) (part of 34)	5-28-6603-00	1	1	1	1	1
36	Wrap spring (left hand) (part of 34)	9-71-1004-00	1	1	1	1	1
38	Pinion (part of 31 and 34)	8-032-201-00	1	1	1	1	1
39	Spacer, sleeve (part of 31 and 34)	8-141-202-00	1	1	1	1	1
40	Spacer, wrap spring (part of 31 and 34)	8-141-101-00	1	1	1	1	1
41	Sleeve (part of 31 and 34)	8-054-203-00	1	1	1	1	1
42	Retaining ring (part of 31 and 34)	9-03-0012-00	1	1	1	1	1
43	Pivot pin (solenoid levers)	8-131-601-00	1	1	1	1	1
44	Stop (wrap spring)	8-076-203-00	2	2	2	2	2
45	Holding plate (stop)	8-076-204-00	2	2	2	2	2
46	Cap screw, fillister head (#10 - 24 x 3/4)	9-17-2812-00	4	4	4	4	4
47	Lock washer, spring (#10)	9-45-0328-00	4	4	4	4	4
48	Stop (solenoid lever)	8-022-603-00	2	2	2	2	2
49	Solenoid link	8-013-663-00	2	2	2	2	2
50	Sleeve bearing	9-04-1001-00	2	2	2	2	2
51	Pivot pin (solenoid link)	8-012-201-00	2	2	2	2	2
52	Washer, flat	8-060-202-00	4	4	4	4	4
53	Roll pin	9-32-4012-00	6	6	6	6	6
54	Solenoid assembly (less coil)	5-12-0595-00	2	2	2	2	2
55	Solenoid frame (part of 54)	5-79-6406-00	1	1	1	1	1
56	Solenoid plunger (part of 54)	5-29-0597-00	1	1	1	1	1
57	Plunger guide (part of 54)	8-082-581-00	2	2	2	2	2
58	Plunger guide screw (part of 54)	9-25-9013-00	2	2	2	2	2

**Table 1**

Item No.	Description	Manufacturer's Part Number↓	Torque (lb-ft)	370	500	750	1000
			Brake Model Number→	1-086-612-00	1-086-622-00	1-086-632-00	1-086-642-00
60	Coil 115 V / 60 Hz 230 V / 60 Hz 440 V / 60 Hz 440 V / 60 Hz 460 V / 60 Hz 460 V / 60 Hz	6-5-91166-01 6-5-92316-01 6-5-94406-01 6-5-94416-01 6-5-94606-01 6-5-94616-01	2	2	2	2	2
60	Coil kit (includes items 57, 58, 71, 72 & 73) 115 V / 60 Hz 230 V / 60 Hz 440 V / 60 Hz 440 V / 60 Hz 460 V / 60 Hz 460 V / 60 Hz	5-96-6951-05 5-96-6952-05 5-96-6904-16 5-96-6992-15 5-96-6904-06 5-96-6954-05	2	2	2	2	2
61	Cap screw, hex head (5/16 - 18 x 3/4)	8-350-003-00	8	8	8	8	8
62	Lock plate	8-076-662-00	4	4	4	4	4
63	Holding plate	8-076-665-00	4	4	4	4	4
64	Centralizing pin Centralizing pin Centralizing pin	8-061-663-00 8-061-662-00 8-061-661-00	3	3		3	
65	Centralizing spring	9-70-1304-00	6	6	9	12	
66 & 67	Hub and set screw assembly Hub and set screw assembly Hub and set screw assembly	5-16-6102-00 5-16-6104-00 5-16-6106-00	1	1		1	1
68	Cap screw, socket head (5/8 - 18 x 1-1/4)	9-17-3120-00	12	12	12	12	12
69	Lock washer, spring (5/16)	9-45-1331-00	12	12	12	12	12
70	Jumper wire (solenoid)	5-39-0608-00	2	2	2	2	2
71	Lead wire and terminal assembly	5-39-0636-00	2	2	2	2	2
72	Machine screw, binding head (#6 - 32 x 1/4)	9-13-3017-00	4	4	4	4	4
73	Lock washer, spring (#6)	9-45-0326-00	4	4	4	4	4
74	Lead wire bushing	8-140-003-14	*	*	*	*	*
75	Nameplate	8-078-003-00	1	1	1	1	1
76	Instruction plate	8-078-005-00	1	1	1	1	1
77	Drive screw (Type U)	9-25-9002-00	6	6	6	6	6
78	Release rod (right hand)	8-146-203-01	1	1	1	1	1
79	Release rod (left hand)	8-146-663-01	1	1	1	1	1
80	Bearing	8-006-201-00	2	2	2	2	2
81	Retaining ring	9-03-0007-00	2	2	2	2	2
82	Spring tube	8-053-201-00	2	2	2	2	2
83	Release spring	9-71-0004-00	2	2	2	2	2
84	Guide and bearing	8-021-663-00	2	2	2	2	2
85	Oil seal	9-02-0020-00	2	2	2	2	2
86	Release knob	8-148-804-00	2	2	2	2	2
87	Pipe plug (drain)	9-33-0152-00	1	1	1	1	1
88	Retaining ring	9-03-0028-00	3	3	3	3	3
89	Oil seal	9-02-0083-00	1	1	1	1	1

\* As required

**Table 2**

Item No.	Description	Manufacturer's Part Number↓	Brake Model Number		
			1-086-662-00	1-086-672-00	1-086-682-00
2	Endplate (16 1/2" AK)	8-002-663-06	1	1	1