

## Parts List for 87,000 Series (Portal Crane )

### Information required when ordering replacement parts:

- Give part number of parts or kits needed, brake model number, and brake serial number.  
The brake model and serial number may identify special brakes not covered by this parts list.
- When ordering hubs, specify shaft diameter (hub bore) and keyway.

For installation and service instructions, see P/N 8-078-927-10.  
Detailed service instruction sheet is included with each kit.

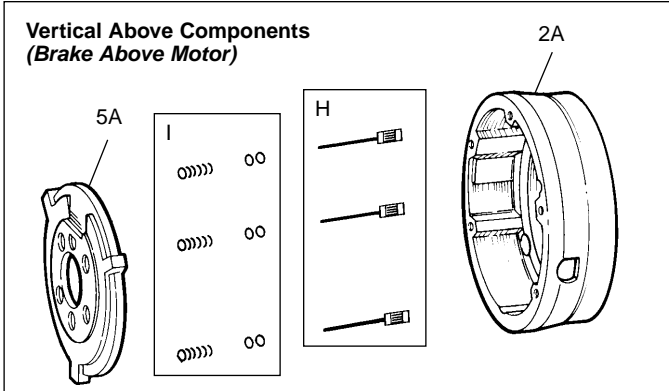
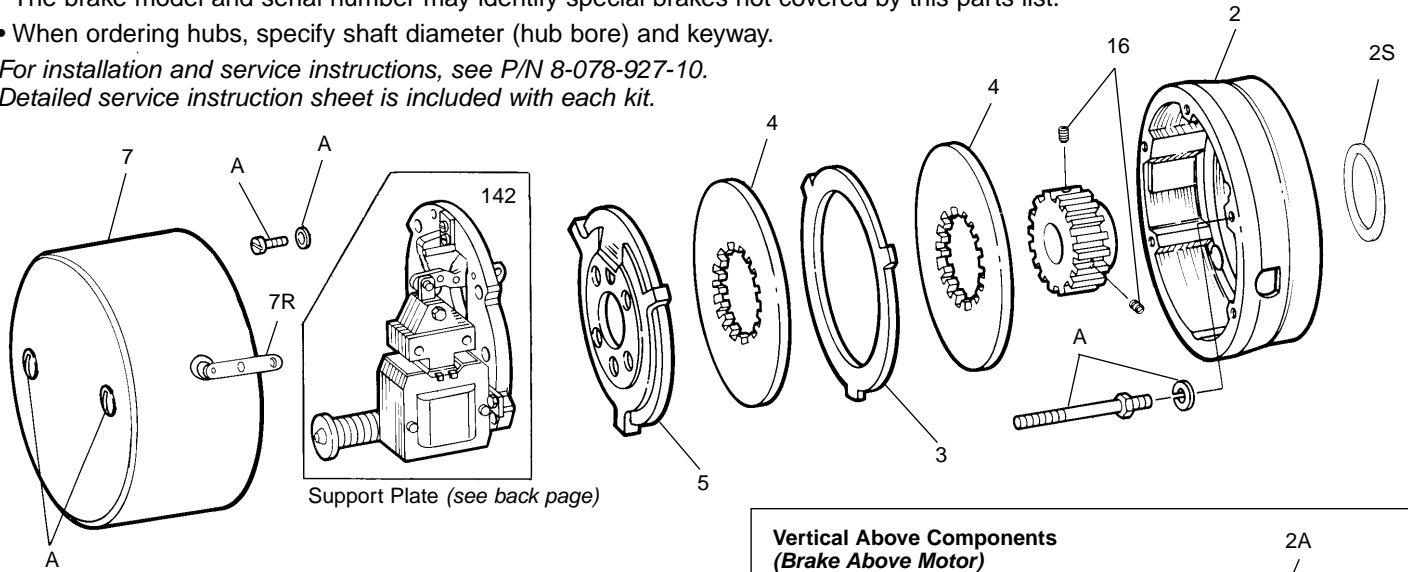


TABLE 1: Components of Standard AC or DC Brake

Item	Description	Part Number ↓	Torque (lb-ft)					
			50		75		105	
			AC	DC	AC	DC	AC	DC
Brake Model Number →			1-087-052-03	1-087-056-03	1-087-062-03	1-087-066-03	1-087-082-03	1-087-086-03
2	Endplate-horizontal (2-disc)	8-002-751-05	1	1	1	1		
	Endplate-vertical above (2-disc)	8-002-751-06	1	1	1	1		
	Endplate-horizontal (3-disc)	8-002-752-05					1	1
	Endplate-vertical above (3-disc)	8-002-752-06					1	1
2S	Oil seal	9-02-0081-00	1	1	1	1	1	1
3	Stationary disc - horizontal and vertical	5-66-8372-00	1	1	1	1	2	2
4	Friction disc-splined	5-66-8478-00	2	2	2	2	3	3
5	Pressure plate-horizontal and vertical above	8-005-702-04	1	1	1	1	1	1
5B	Pressure plate - vertical below	8-005-702-05	1	1	1	1	1	1
7	Housing - full release	5-07-7036-01	1	1	1	1	1	1
7R	Manual Release Kit (Housing)	5-55-7007-00	1	1	1	1	1	1
<i>not shown</i>	Gasket-housing	5-63-0713-00	1	1	1	1	1	1
	O-ring seal-housing stud	5-63-0713-00	1	1	1	1	1	1
16	Hub and set screw assembly (2-disc)	5-16-7108-00	1	1	1	1		
	Hub and set screw assembly (3-disc)	5-16-7109-00					1	1
142*	Support plate assembly (AC)	5-42-7095-40-08	1					
	Support plate assembly (AC)	5-42-7097-40-08		1		1		
A	Hardware kit	5-96-1007-00	1	1	1	1	1	1
<b>Vertical Above Kits</b>								
H	Vertical mounting pin kit (2-disc)	5-66-3372-00	1	1	1	1		
	Vertical mounting pin kit (3-disc)	5-66-3373-00					1	1
I	Vertical above spring and spacer kit	5-66-3171-00	1	1	1	1	1	1

\*Coil is separate. Consult factory for support plate assembly part number with the side manual release option.

TABLE 2: Components for Vertical Modifications, Brass Parts and Splined Parts

Item	Description	Part Number ↓	Torque (lb-ft)					
			50		75		105	
			AC	DC	AC	DC	AC	DC
Brake Model Number →			1-087-052-03	1-087-056-03	1-087-062-03	1-087-066-03	1-087-082-03	1-087-086-03
<b>Vertical Above Modification*</b>								
2A	Endplate and seal assembly w/pins (cast iron)	5-22-7004-00-30F	1	1	1	1		
	Endplate and seal assembly w/pins (cast iron)	5-22-7006-00-30F						1 1
5A	Pressure plate	8-005-702-04	1	1	1	1	1	1
H	Vertical above mounting pin kit (2-disc brake with cast iron endplate)	5-66-3372-00	1	1	1	1		
	Vertical above mounting pin kit (3-disc brake with cast iron endplate)	5-66-3373-00						1 1
I	Vertical above spring and spacer kit	5-66-3171-00	1	1	1	1	1	1
<i>not shown</i>	Housing and side release assembly	5-07-7036-00	1	1	1	1	1	1
<b>Brass Parts (optional)</b>								
C	Brass pressure plate (horizontal brake)	8-005-703-01	1	1	1	1	1	1
E	Brass stationary disc (horizontal brake)	8-003-704-01	1	1	1	1	2	2

\* See Item 3 (Table 1) for stationary disc kit.

## Solenoid and Coil Assembly

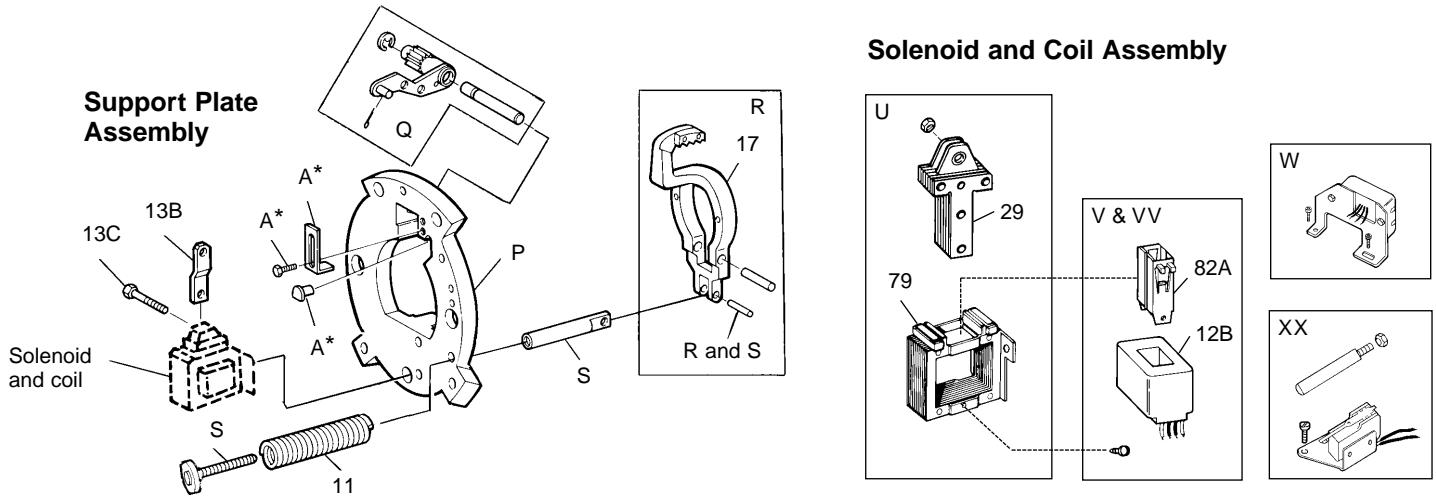


TABLE 3: Components of Support Plate and Coil Assembly\*

Item	Description	Part Number	Torque (lb-ft)	
			50	75 105
11	Pressure spring kit - orange (formerly red) Pressure spring kit - purple (formerly green)	5-66-3076-00 5-66-3078-00	1	1
13B	Solenoid link Solenoid link	8-013-703-00 8-013-704-00	1	1
13C	Solenoid link cap screw Solenoid link cap screw	8-157-702-00 8-157-703-00	1	1
P	Support plate and bearing assembly Support plate and bearing assembly	5-26-7007-00 5-26-7008-00	1	1
Q	Solenoid lever and pinion kit - stainless	5-96-7371-00	1	1
R	Lever arm kit	5-66-7271-00	1	1
S	Pressure spring tube kit	5-66-7471-00	1	1
U	No. 6 solenoid kit No. 8 solenoid kit	5-66-5061-00 5-66-5081-00	1	1
V	No. 6 coil kit 60 Hz	115/230 Vac 230/460 Vac	5-66-6607-** 5-66-6609-**	1 1
		115 Vac 230 Vac	5-66-6601-** 5-66-6602-**	1 1
		460 Vac 575 Vac	5-66-6604-** 5-66-6605-**	1 1
VV	No. 8 coil assembly	115 Vdc 230 Vdc	5-96-6616-33 5-96-6617-33	1 1
		115 Vdc 230 Vdc	5-96-6816-33 5-96-6817-33	1 1
XX	Brake release interlock switch	5-57-5527-00	1	1
optional switch	Proximity switch Target - proximity switch Mounting bracket - proximity switch	9-62-8020-00 8-160-709-00 8-159-715-00	1 1 1	1 1 1
optional heater	Heater Kit	115 Vac 230 Vac	5-27-2004-00 5-27-2005-00	1 1
<b>DC Brakes</b>				
W	Electronic DC switch kit	115 Vdc 230 Vdc	5-57-5716-07 5-57-5717-07	1 1

\* Consult factory for price and availability on complete support plate assemblies including solenoid.

\*\* -05 (green coil) indicates class H coil.

-33 (black coil) indicates class B coil.

TABLE 4: Contents of Kits and Assemblies (contents may vary)

Kit Designation	Kit Description	Kit Designation	Kit Description	Kit Designation	Kit Description
3	Stationary disc kit (5-66-8372-00) 1 - Stationary disc (horizontal or vertical)	Q	Solenoid lever and pinion kit (5-96-7371-00) 1 - Solenoid lever and pinion assembly 1 - Cotter pin 1 - Solenoid lever pivot pin 1 - Pivot pin retaining ring	VV	Coil assembly (5-96-6XXX-33) DC coils 1 - Coil 2 - Plunger guides 2 - Plunger guide screws 4 - Wire fasteners
4	Friction disc kit - splined (5-66-8478-00) 1 - Friction disc - splined	R	Lever arm kit (5-66-7271-00) 1 - Lever arm assembly 1 - Lever arm pivot pin 1 - Spring tube pivot pin	W	DC switch kit (5-57-57XX-07) 1 - Switch 1 - Mounting bracket 2 - Support plate mounting screws 2 - Switch mounting screws 2 - Nuts 3 - Crimp connectors
5	Pressure plate kit (8-002-702-0X) 1 - Pressure plate	S	Pressure spring tube kit (5-66-7471-00) 1 - Pressure spring tube 1 - Pressure spring screw 1 - Spring tube pivot pin	XX	AC switch assembly (5-57-5527-00) 1 - Microswitch 1 - Mounting bracket 2 - Lead wire assemblies 2 - Mounting bracket screws 2 - Nuts 2 - Support plate screws 1 - Actuator arm 1 - Actuator arm mounting bolt 1 - Actuator arm nut
11	Pressure spring kit (5-66-307X-00) 1 - Pressure spring	U	Solenoid kit (5-66-50X1-00) 1 - Plunger 1 - Frame 3 - Solenoid mounting screws 3 - Solenoid mounting lock washers 1 - Solenoid link nut		
A	Hardware kit (5-96-1007-00) 2 - External lead wire plugs 1 - Wrap spring stop 2 - Wrap spring stop screws 1 - Solenoid lever stop 3 - Support plate screws 3 - Support plate lock washers 2 - Housing studs 2 - Housing stud lock washers 2 - Housing nuts	V	Coil kits (5-66-6XXX-**) AC coils 1 - Coil 2 - Plunger guides 2 - Plunger guide screws		
H	Vertical above mtg. pin kit (5-66-337X-00) 3 - Vertical above mounting pins				
I	Vertical above spring and spacer kit (5-66-3171-00) 9 - Vertical above mounting springs 9 - Vertical above spring spacers				

Copyright© 2000 by Rexnord Industries, Inc.

Rexnord Industries, Inc., Stearns Division,

5150 S. International Dr., Cudahy, Wisconsin 53110, (414) 272-1100 Fax: (414) 277-4364 [www.rexnord.com](http://www.rexnord.com)