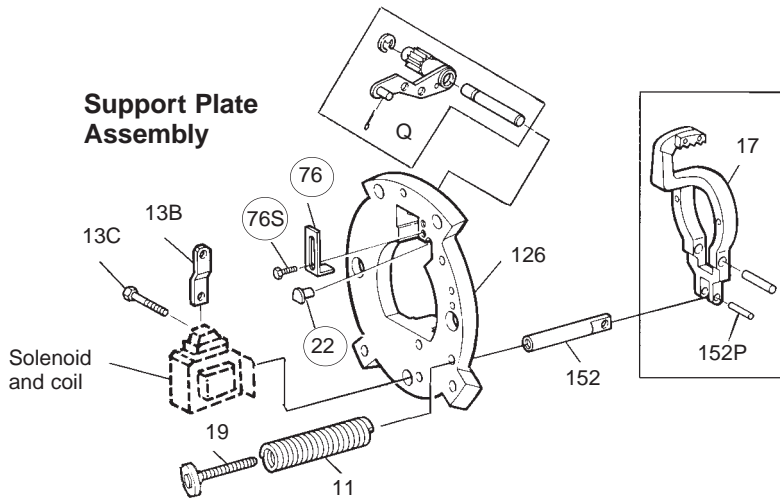
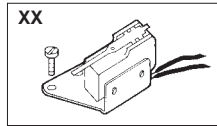




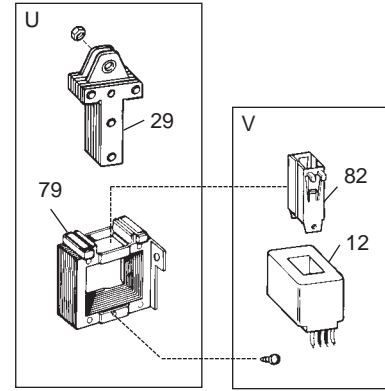
### Support Plate Assembly



○ Circled items are contained in kit Item 15, Table 1.  
Item 152P is contained in both kits 17 and 152



### Solenoid and Coil



**TABLE 4: Contents of Kits and Assemblies**  
(contents may vary)

**TABLE 3: Components of Support Plate and Coil Assembly**

Item	Description	Part Number	Torque (lb-ft)			
			6 10	15	25 50	35 75 105
126	Support plate and bearing assembly	5-26-7007-00	1	1	1	1
	Support plate and bearing assembly	5-26-7008-00				
8	<b>SOLENOID LEVER AND PINION KIT</b>	5-66-7371-00	1	1	1	1
17	Lever arm kit	5-66-7271-00	1	1	1	1
19 & 152	Pressure spring tube kit	5-66-7471-00	1	1	1	1
11	Pressure spring kit black	5-66-3072-00	1			
	Pressure spring kit white	5-66-3074-00		1		
	Pressure spring kit orange	5-66-3076-00			1	
	Pressure spring kit purple	5-66-3078-00				1
<b>AC Brakes</b>						
U	<b>NO. 5 SOLENOID KIT</b>	5-66-5051-00	1			
	<b>NO. 6 SOLENOID KIT</b>	5-66-5061-00		1	1	
	<b>NO. 8 SOLENOID KIT</b>	5-66-5081-00				1
13B	Solenoid link	8-013-703-00	1	1	1	1
	Solenoid link	8-013-704-00				
13C	Solenoid link cap screw	8-157-701-00	1			
	Solenoid link cap screw	8-157-702-00		1	1	
	Solenoid link cap screw	8-157-703-00				1
V	<b>No. 5 Coil kit 60 Hz</b>	115/230 Vac	5-66-6507-33	1		
		230/460 Vac	5-66-6509-33	1		
		115 Vac	5-66-6501-33	1		
		230 Vac	5-66-6502-33	1		
		460 Vac	5-66-6504-33	1		
		575 Vac	5-66-6505-33	1		
	<b>No. 6 Coil kit 60 Hz</b>	115/230 Vac	5-66-6607-33		1	1
		230/460 Vac	5-66-6609-33		1	1
		115 Vac	5-66-6601-33		1	1
		230 Vac	5-66-6602-33		1	1
		460 Vac	5-66-6604-33		1	1
		575 Vac	5-66-6605-33		1	1
<b>No. 8 Coil kit 60 Hz</b>	115/230 Vac	5-66-6807-33			1	
	230/460 Vac	5-66-6809-33			1	
	115 Vac	5-66-6801-33			1	
	230 Vac	5-66-6802-33			1	
	460 Vac	5-66-6804-33			1	
	575 Vac	5-66-6805-33			1	
XX	Brake wear indicator	5-57-5529-00	1	1	1	1

Item	Kit Description
A	Hardware kit (5-66-1007-01) 2 External lead wire plugs 1 Wrap spring stop 2 Wrap spring stop screws 1 Solenoid lever stop 3 Support plate screws 3 Support plate conical spring washers 3 Support plate flat washers 3 Housing studs 3 Housing stud lock washers 3 Housing nuts
3	Stationary disc kit (5-66-8372-00) 1 Stationary disc (horizontal or vertical)
4	Friction disc kit - splined (5-66-84XX-00) 1 Friction disc - splined
5	Pressure plate kit (5-66-8571-00) 1 Pressure plate (horizontal or vertical)
J	Vertical spring kit (5-66-3176-00) 15 Vertical above mounting springs
8	Solenoid lever and pinion kit (5-66-7371-00) 1 Solenoid lever & pinion assembly 1 Cotter pin 1 Solenoid lever pivot pin 1 Pivot pin retaining ring
17	Lever arm kit (5-66-7271-00) 1 Lever arm assembly 1 Lever arm pivot pin 1 Spring tube pivot pin
19 and 152	Pressure spring tube kit (5-66-7471-00) 1 Pressure spring tube 1 Pressure spring screw 1 Spring tube pivot pin
11	Pressure spring kit (5-66-307X-00) 1 Pressure spring
U	Solenoid kit (5-66-50X1-00) 1 Plunger 1 Frame 3 Solenoid mounting screws 3 Solenoid mtg. conical spring washers 1 Solenoid link nut
V	Coil kits (5-66-6XXX-33) AC coils 1 Coil 2 Plunger guides
XX	Wear indicator switch(5-57-5529-00) 1 Microswitch 1 Mounting bracket 2 Lead wire assemblies 2 Mounting bracket screws 2 Nuts 2 Support plate screws 1 Actuator arm 1 Actuator arm nut