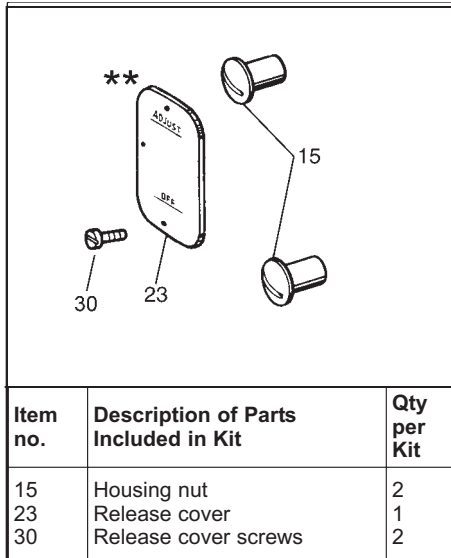


## Service Instructions for Hardware Kit Series 55,000; 56,100; 56,600 Standard Disc Brake



Item no.	Description of Parts Included in Kit	Qty per Kit
15	Housing nut	2
23	Release cover	1
30	Release cover screws	2

### Important

Please read these instructions carefully before servicing your Stearns Brake. Failure to comply with these instructions could cause injury to personnel and/or damage to property if the brake is installed or operated incorrectly. For definition of limited warranty/liability, contact Rexnord Industries, LLC, Stearns Division, 5150 S. International Dr., Cudahy, Wisconsin 53110, (414) 272-1100.

### Caution

1. Servicing shall be in compliance with applicable local safety codes including Occupational Safety and Health Act (OSHA). All wiring and electrical connections must comply with the National Electric Code (NEC) and local electric codes in effect.

2. To prevent an electrical hazard, disconnect power source before working on the brake. If power disconnect point is out of sight, lock disconnect in the *off* position and tag to prevent accidental application of power.
3. Be careful when touching the exterior of an operating brake. Allow sufficient time for the brake to cool before disassembly. Surface may be hot enough to be painful or cause injury.
4. Do not operate brake with housing nut removed. All moving parts should be guarded.
5. After usage, the brake interior will contain burnt and degraded friction material dust. This dust must be removed before servicing or adjusting the brake.

DO NOT BLOW OFF DUST using an air hose. It is important to avoid dispersing dust into the air or inhaling it, as this may be dangerous to your health.

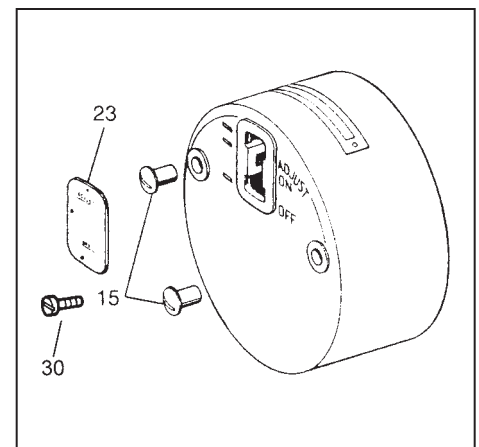
- a) Wear a filtered mask or a respirator while removing dust from the inside of a brake.
  - b) Use a vacuum cleaner or a soft brush to remove dust from the brake. When brushing, avoid causing the dust to become airborne. Collect the dust in a container, such as a bag, which can be sealed off.
6. Maintenance shall be performed only by qualified personnel familiar with the construction and operation of the brake.

7. For proper performance and operation, only genuine Stearns parts should be used for repairs and replacements.

**Warning!** Any mechanism or load held in position by the brake should be secured to prevent possible injury to personnel or damage to equipment before any disassembly of the brake is attempted or before the manual release knob or lever is operated on the brake.

### Instructions

1. Remove housing nuts (15). Replace.
2. Remove release cover (23) and replace. Tighten two mounting screws (30).



**NOTE:** For complete instructions, with troubleshooting, request sheet applicable to the series of brake that you have.

\*\* Cover plates with the retaining clip are no longer available. Mounting of the new cover plate will require drilling two holes in the housing (see fig. 1) and using the two self-tapping screws provided.

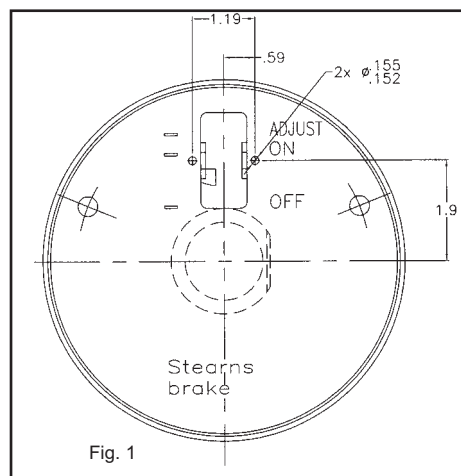


Fig. 1