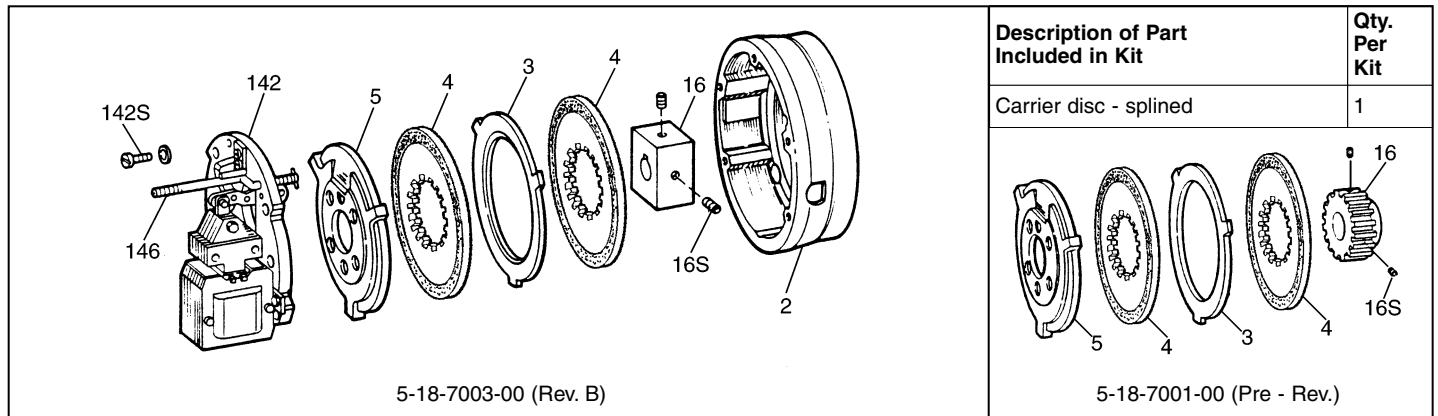


Service Instructions Carrier Disc Kits Series 87,X00



Description of Part Included in Kit	Qty. Per Kit
Carrier disc - splined	1

Figure 1

Important

Carrier discs are for use on horizontal shaft applications only.

Important

Please read these instructions carefully before servicing your Stearns brake. Failure to comply with these instructions could cause injury to personnel and/or damage to property if the brake is serviced or operated incorrectly. For definition of limited warranty/liability, contact Rexnord Industries, Inc., Stearns Division, 5150 S. International Dr., Cudahy, Wisconsin 53110, (414) 272-1100.

Caution

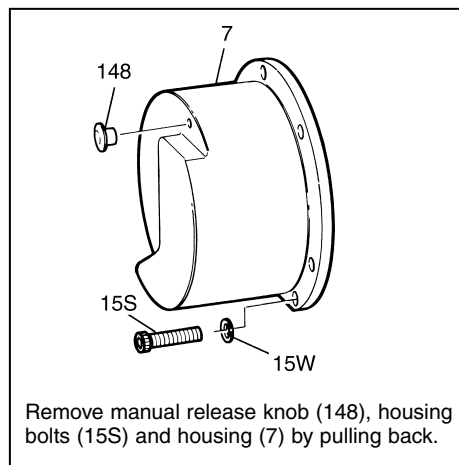
1. Servicing shall be in compliance with applicable local safety codes including Occupational Safety and Health Act (OSHA). All wiring and electrical connections must comply with the National Electric Code (NEC) and local electric codes in effect.
2. To prevent an electrical hazard, disconnect power source before working on the brake. If power disconnect point is out of sight, lock disconnect in the *off* position and tag to prevent accidental application of power.
3. Be careful when touching the exterior of an operating brake. Allow sufficient time for the brake to cool before disassembly. Surface may be hot enough to be painful or cause injury.
4. Do not operate brake with housing removed. All moving parts should be guarded.
5. After usage, the brake interior will contain burnt and degraded friction material dust. This dust must be removed before servicing or adjusting the brake.

DO NOT BLOW OFF DUST using an air hose. It is important to avoid dispersing dust into the air and inhaling it, as this may be dangerous to your health.

- a) Wear a filtered mask or a respirator while removing dust from the inside of a brake.
- b) Use a vacuum cleaner or a soft brush to remove dust from the brake. When brushing, avoid causing the dust to become airborne. Collect the dust in a container, such as a bag, which can be sealed off.

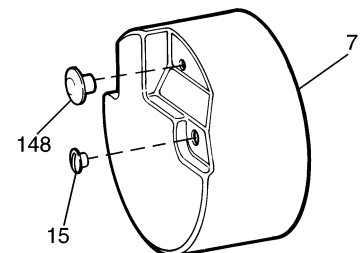
6. Maintenance should be performed only by qualified personnel familiar with the construction and operation of the brake.

7. For proper performance and operation, only genuine Stearns parts should be used for repairs and replacements.



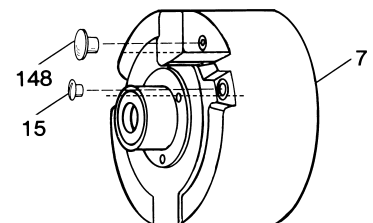
Remove manual release knob (148), housing bolts (15S) and housing (7) by pulling back.

87,000 and 87,100 Series



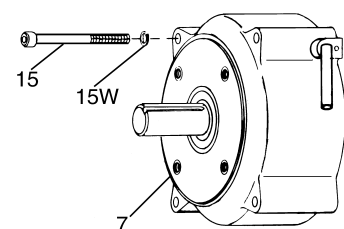
Remove manual release knob (148), housing nuts (15) and housing (7) by pulling back.

87,200 Series



- a) Remove any accessories, sprockets, sheaves, etc., from brake shaft on housing side.
- b) Remove manual release knob (148), housing nuts (15) and housing (7).

87,700 Series



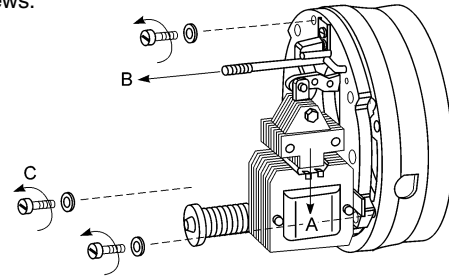
- a) Remove the brake and motor as a unit from the gear reducer.
- b) Remove four housing cap screws (15), lock washers (15W) housing (7) and shaft assembly.

To remove housing, follow instructions listed under each individual brake series shown in *Figure 1*.

1. Disconnect coil lead wires, and pull the manual release rod (B) to secure the plunger in coil. (87,700 only, tie the plunger down against the solenoid frame using a wire tie).

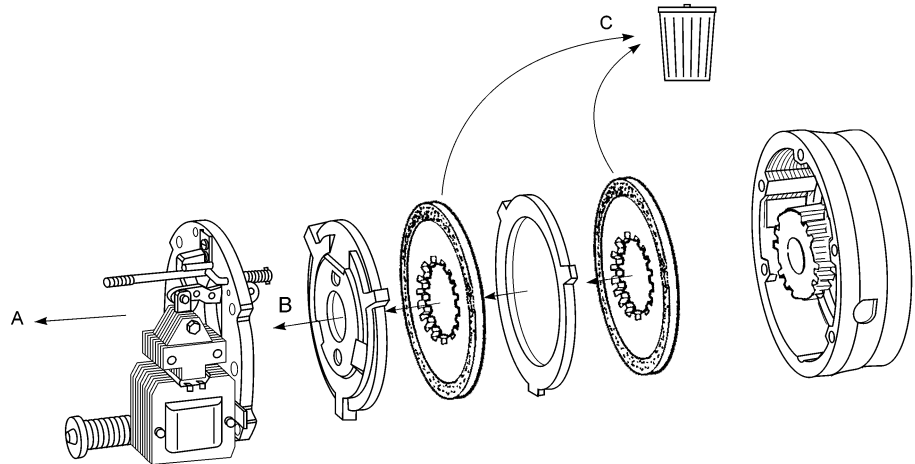
- A. Push plunger down.
- B. Pull manual release to hold plunger
- C. Remove support plate screws.

counter-clockwise



2. A. Remove support plate.
B. Remove disc pack components.
C. Discard old friction discs.

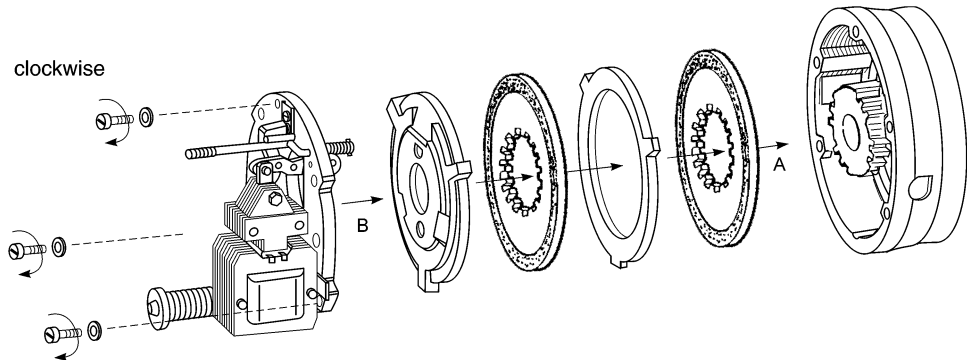
Note 1: Brakes with single friction disc will not contain a stationary disc.



3. A. Install new friction discs and reassemble in reverse order of disassembly.*
B. Position support plate and tighten 3 screws to 50 in-lb.

Note 2: After mounting the support plate, manually lift the solenoid plunger and then depress it fully to reset the air gap. (Refer to brake instructions for gap adjustment).

clockwise



4. Reconnect coil lead wires and replace housing, screws and manual release.

Caution! Do not run motor with brake in manual release position. It is intended only for emergency manual movement of the driven load, not as a substitute for full electrical release.

Note: For complete instructions, with troubleshooting, request sheet applicable to the series of brake that you have.