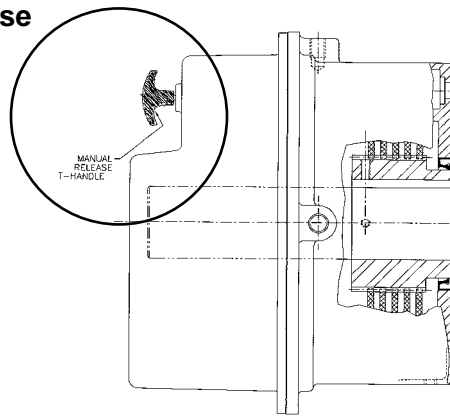


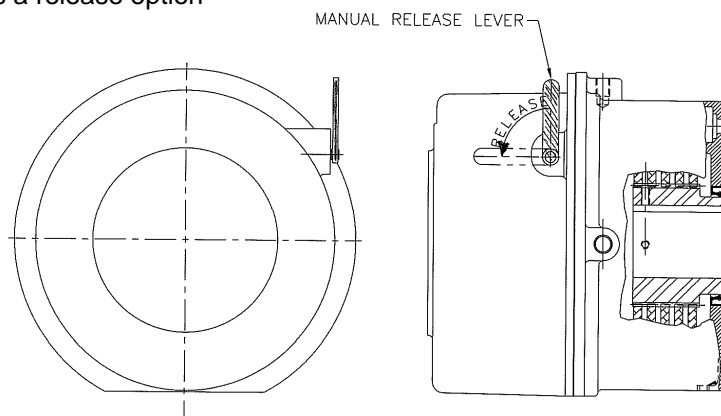
Standard T-handle Pull release

rev: 12/1/2010pw



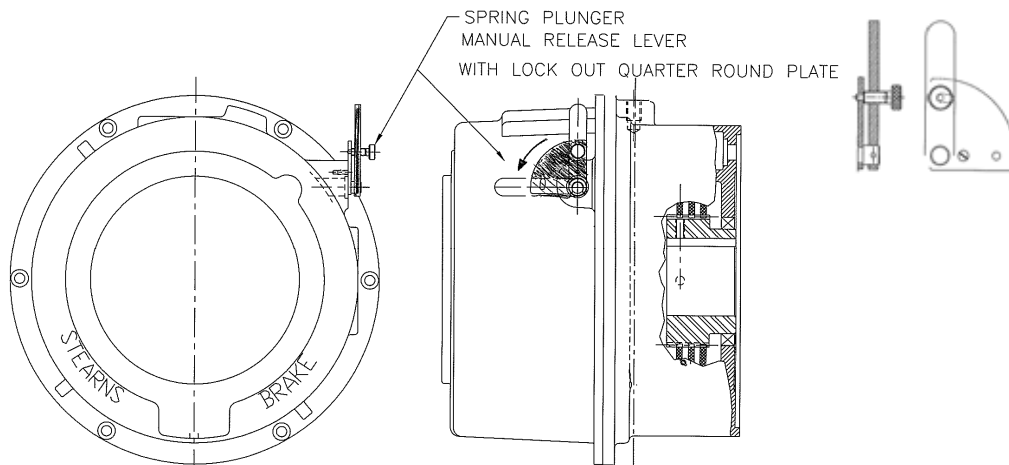
Standard Side Release Option – Modification 12

- Vertical above motor mounting and / or IP 56 rating brakes
- As a release option



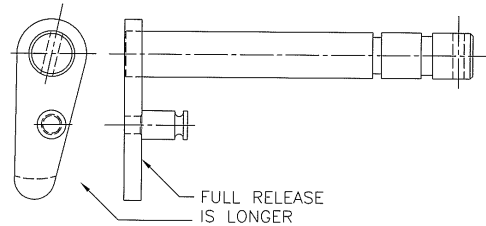
Full Side Release with Quarter Circle Mechanical Lock Out Plate – Modification 50

Used in portal and queue side cranes where brakes will be spring set while the motor-brake and load will be moved by rail, tire or tug. The brake is fully released with no residual drag, and requires mechanical lock in and out by a spring loaded plunger. This option does not self-reset with power.



Full Side Release Option

The brake is fully released with no residual drag. The under-cover pivot arm is longer than the standard release and fully seats the solenoid plunger into the coil which removes any brake spring force on the disc pack, brake gear hub and shaft. It is necessary to manually set and release.



Dead man or non-maintained release option – Modification 32

Available with any release choice as an option. The brake requires constant force to keep the brake released and will re-set force with force removed. This option is used to slip loads or to keep brakes from staying in a released condition.

Undercover release – Modification 37

No external release, a pull release is available when the cast cover is removed. This option is used to prevent undesirable or unintended brake release.

Cover Material

The 1-081 & 1-082 series standard cover is cast iron. A cast aluminum cover is available and 27 pounds lighter in weight.

Gasket, Housing to Endplate - Modification 43

Flat gasket standard, O-ring available as an option.

Stearns®

5150 S. International Drive
PO Box 100640
Cudahy, WI 553110-6111
www.stearns.rexnord.com
ph: 414 / 272 - 1100
fax: 414 / 277 - 4364