

Tire Press Brakes For Tire Manufacturing Plants



87,P00

Key Industries:

- Tire Manufacturing

Features:

- Splined Heavy Duty Hub
- Specialty Designed Friction Disc - For Higher Operating Temperature & High Inertia Loads
- Cast Iron Endplate
- Internal Manual Release
- Housing Nut O-Rings
- Sealed Manual Release Hole in Housing
- IP54 Enclosure Rating

A challenge presented by a customer demonstrated two of the core values of Stearns: Continuous Improvement and Putting the Customer First.

A tire manufacturing customer approached Stearns to develop a new brake for their application to increase the time before required maintenance of the system.

There were three challenges to the application:

- 1) High ambient temperature
- 2) High inertia load
- 3) Steam leaks in the tire manufacturing process

Due to the high ambient temperature and high inertia load, the standard friction materials were wearing too quickly, requiring frequent maintenance. Additionally, the pressurized steam forced water into the brake and caused premature corrosion of the components.

To overcome these challenges, a high-temperature friction disc material was developed to withstand the high inertia load and ambient temperatures to significantly decrease the wear rate. In addition, a new IP54 housing was designed to prevent steam and/or water intrusion inside of the brake. The result of the new design successfully increased the time before required maintenance, even exceeding the expectations of the customer, and is now being widely used in tire plants across the United States.

Benefits of our Tire Press Brakes:

- Longer life capacity
- Longer friction disc life
- Longer hub life
- Higher thermal capacity friction disc
- Sealed housing prevents water, steam an hydraulic oil intrusion

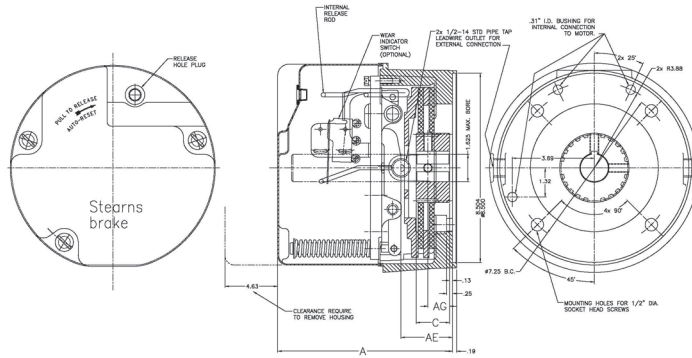
Why Stearns Tire Press Brakes:

- Years of experience in the motor industry
- Special friction disc formula designed specifically for tire presses
- Combined with an IP54 enclosure the tire press brake allows for longer life and greatly reduces required maintenance

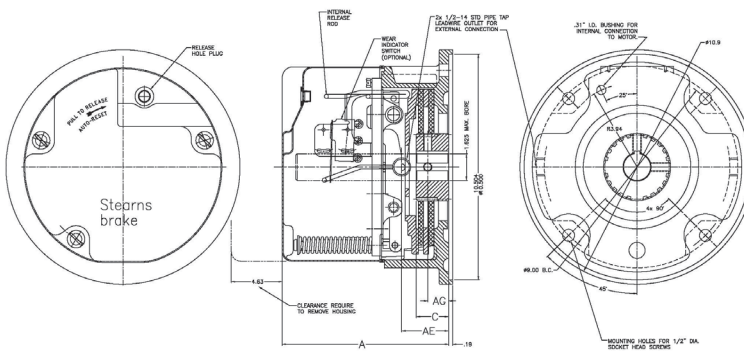
Technical Information

Accepted by Motor Manufacturers and UL Recognition

87,T00



87,P00



Technical Characteristics

SERIES	MODEL NUMBER	TORQUE (LB-FT)	FRAME SIZE	APPROXIMATE WEIGHT (LBS)
87,T00	1-087-T12-X0-XXX	10	182TC - 256TC	26
	1-087-T22-X0-XXX	15		27
	1-087-T32-X0-XXX	25		27
	1-087-T42-X0-XXX	35		30
	1-087-T52-X0-XXX	50		32
	1-087-T62-X0-XXX	75		34
	1-087-T82-X0-XXX	105		38
	1-087-T92-X0-XXX	125*		38
87,P00	1-087-P52-X0-XXX	50	284 - 286TC/UC	33
	1-087-P62-X0-XXX	75		36
	1-087-P82-X0-XXX	105		42
	1-087-P92-X0-XXX	125*		42

*Please note that the 125 lb-ft option is ONLY available for holding applications

(414) 272-1100
stearnsbrakes.com

Stearns
 5150 International Drive, Cudahy, WI 53110
 Stearns is a registered trademark of Rexnord Corporation
 ST5-002_LTR

Stearns®